

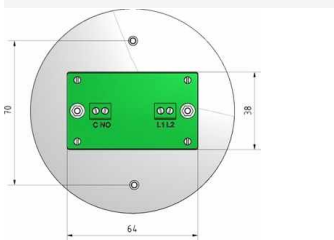
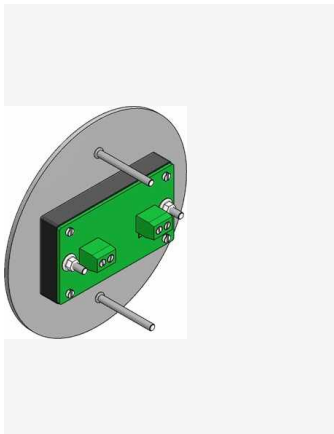
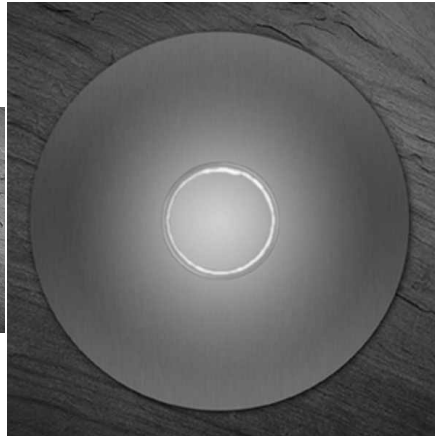


Order number: 517

Manufacturer: Briefkasten Manufaktur Lippe

ab **€57.60 \***

incl. VAT [plus shipping costs](#) (exclusive of VAT for logged-in users with VAT ID and Non-EU countries)



## Stainless steel bell plate Designer LED - ROUND 100

The doorbell elements from Briefkasten-Manufaktur are products Made in Germany. This doorbell element is made of high-quality stainless steel V2A 1.4301, polished.

- Doorbell made of 2mm stainless steel V2A 1.4301, 240 grit polished.
- 8-12V DC short-stroke bell push with white LED ring lighting. The illumination of the bell push must be connected to an additional power supply, this is not included.
- Fastening with welding studs on the back.
- Supplied with fixing plugs.

### Abmessungen & Details

Number of parties: 1

Base material: Stainless steel

Height in cm: 10,0

Width in cm: 10,0

Depth in cm: 0,2