

Design flush-mounted letterbox GOETHE UP - polished V2A stainless steel | 200mm depth

Product number 215-UP-1-VA-200



Product description

Design flush-mounted letterbox GOETHE[®] UP - polished V2A stainless steel

The modern GOETHE[®] flush-mounted letterbox in polished stainless steel is ideal for sophisticated entrance areas. The linear design without a visible lock makes this letterbox look particularly elegant.

The dimensions of the individual box allow for a capacity of approx. 16 or 32 litres, while the large slot guarantees no crumpled mail, even with DIN C4 envelopes and magazines or after several days of absence. The innovative push-key lock is concealed inside the letterbox. The key is simply inserted into the existing opening (no turning required) and the door opens. With the arrangement of the lock, this letterbox is designed in such a way that the removal door prevents the mail from falling towards you. The water drainage edge ensures that the mail inside is optimally protected from the weather. The insertion flap is fitted with high-quality axle dampers, guaranteeing quiet closing and preventing annoying rattling caused by the weather.

The letterbox systems in the GOETHE[®] collection are characterised by the consistent use of stainless steel. The result is a very long service life and sustainability. The design has been developed by our own engineers with a view to high flexibility and modularity, simple spare parts assembly and uncomplicated self-assembly. Spare parts for all GOETHE[®] systems are available directly in our shop.

Thanks to the design, self-assembly is uncomplicated.

Protected utility model according to DPMA file number DE: 20 2021 101 679.5

- Flush-mounted letterbox with powder-coated body and panels/frame made of stainless steel V2A 1.4301, 240 grit polished.
- Quality production - Made in Germany by Briefkasten Manufaktur Lippe.
- Letterbox (BH 400x400mm) with body made of stainless steel 1.4016 (non-rusting magnetic stainless steel), powder-coated in RAL 9005 deep black fine structure matt.
- Innovative push-key lock with 2 keys.
- Letter insertion and removal from the front. Soft-close flap with high-quality axle dampers for gentle closing.
- The letterbox complies with DIN/EN 13724. Insertion size (3.5 cm x 36.0 cm) for C4 landscape, even large letters fit in here without creasing.
- Removal door opens from top to bottom. So the mail cannot fall towards you.
- Optional name labelling approx. 15-20 mm high.
- Optional house number labelling approx. 70-80 mm high.
- Plaster cover frame made of stainless steel angle profile 25 x 58 mm made of stainless steel V2A 1.4301, 240 grit polished.

Important information:

To achieve optimum water protection for your mail, the letterbox or letterbox system should be located under a canopy if possible.

The mail is only protected from water if it is fully inserted in the box and the flap is closed. Mail that is not fully inserted allows moisture and dirt to enter the letterbox. This system is protected against the ingress of water in accordance with DIN EN 13724. Water ingress is not a reason for complaint.

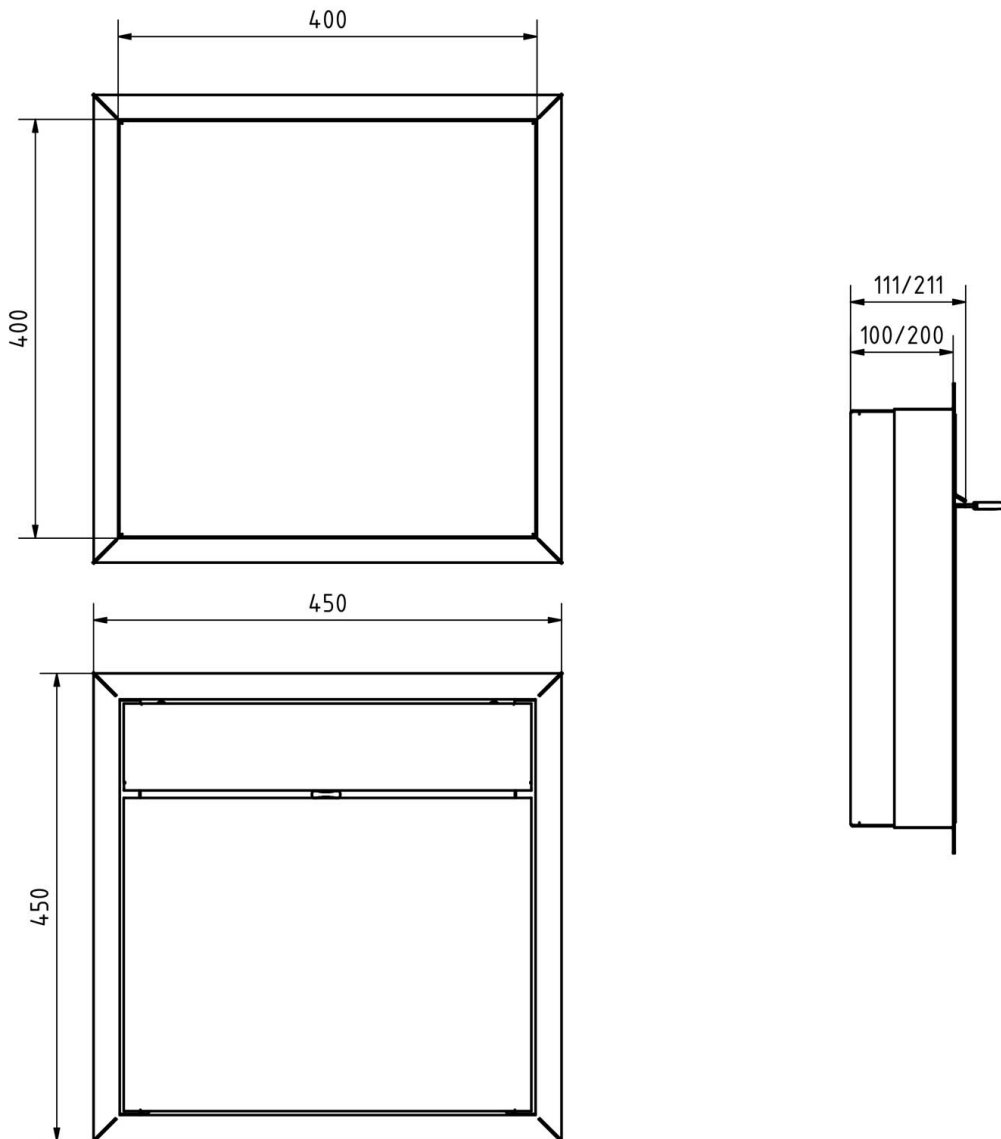
Product properties

Series	GOETHE
Material	Stainless steel V2A 1.4301, Stainless steel 1.4016 (non-rusting magnetic stainless steel)
House number	House number as laser engraving
Name labelling	Laser-engraved
Removal of mail	On the front
Number of letterboxes	with 1 letterbox
Boxes by volume	Jumbo > 30 litres
Mounting type	Flush-mounted

Dimensions

Height of single box in mm	400,0
Width of single box in mm	400,0
Capacity in litres	16
Height of letterbox slot in mm	35,0
Width of letter slot in mm	360,0
Height of letterbox in mm	External dimension 450.0 installation dimension 403.0
Width of letterbox system in mm	External dimension 450.0 installation dimension 403.0
Total width in mm	450,0
Depth in mm	100.0 installation dimension 103.5
Weight in kg	11
Delivery condition	Delivery is assembled

Drawing



More images

