

BRENTANO® letterbox with newspaper compartment - Elegance 3 design - RAL of your choice | with newspaper compartment | ? Colour of your choice

Product number 803-RALE3-ZF-AP



Product description

BRENTANO® letterbox with newspaper compartment - Elegance 3 design - RAL colour of your choice

The BRENTANO® letterbox with invisible lock and slim stainless steel cover including name lettering in grey combines modern design with first-class functionality. Made from high-quality materials and powder-coated, it is not only a stylish design element for your home, but also impresses with its durability. The clear lines and careful workmanship make the BRENTANO® letterbox the ideal choice for the highest design demands. Thanks to its robust construction, it is particularly weather-resistant and guarantees reliable protection for your mail. Perfect for anyone who values a harmonious balance of design and function.

The generous dimensions of the BRENTANO® design letterbox allow a capacity of approx. 20 litres, which means that even larger items such as DIN C4 envelopes or magazines can be accepted without creasing - even after several days of absence. Top-loading ensures convenient handling. The letterbox is also equipped with dampers that ensure the flap closes gently and quietly. The innovative push-key lock, which is concealed inside, enables opening without turning the key - simply insert the key into the opening and the door opens effortlessly. The clever arrangement of the lock and the removal door prevents the mail from falling towards you when opening. Manufactured from stainless steel and galvanised steel with an additional powder-coated finish, this letterbox is particularly durable and has a high-quality finish.

The unique one-hand operating concept with the push-key lock, available exclusively from Briefkasten Manufaktur Lippe, makes it particularly easy to use: you can open the letterbox, remove the post and close it again with just one hand. Protected by a utility model (DPMA file number DE: 20 2021 101 679.5), this innovation offers real added value.

Thanks to the design, self-assembly is uncomplicated.

- High-quality surface-mounted letterbox, powder-coated.
- Quality production - Made in Germany
- Elegance 3 design: slim 20 mm stainless steel cover, 240 grit polished.
- Innovative push-key lock including 2 keys with key number. Convenient locking without key.
- Letterbox body made of 1.5mm galvanised steel.
- Removal door made of 1.5 mm stainless steel V2A 1.4301 with opening limiter, can be opened from top to bottom. The retaining plate prevents the mail from falling towards you.
- The flap has an opening limiter that prevents it from touching the house wall. In addition, high-quality dampers ensure that the flap closes quietly and gently.
- The letterbox complies with DIN/EN 13724. Insertion size (3.5 cm x 36.0 cm) for C4 landscape, large letters also fit in here without creasing.
- Newspaper compartment (BH 400x120mm) made of 1.5mm galvanised steel, powder-coated. Open on both sides.
- Optional name labelling approx. 10mm high.
- For surface wall mounting including mounting screws and spacers.

Important information:

To achieve optimum water protection for your mail, the letterbox or letterbox system should be located under a canopy if possible.

The mail is only protected from water if it is fully inserted in the box and the flap is closed. Mail that is not fully inserted allows moisture and dirt to enter the letterbox. This system is protected against the ingress of water in accordance with DIN EN 13724. Water ingress is not a reason for complaint.

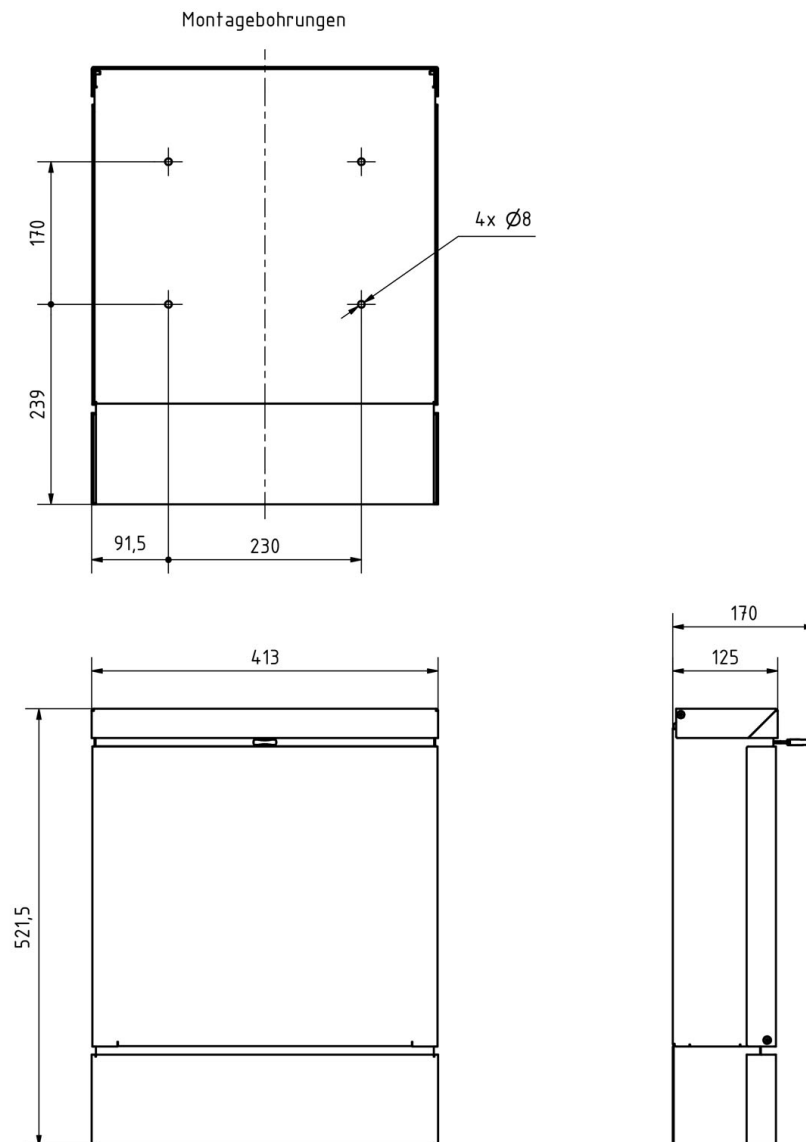
Product properties

Material	Steel, galvanised, Stainless steel V2A 1.4301
Surface/colour	RAL 9005 deep black, DB 703 iron mica, RAL of your choice (according to colour table), Brushed, RAL 9007 grey aluminium, RAL 9016 traffic white
Series	BRENTANO
Functions	Newspaper compartment
Name labelling	Laser-engraved
Removal of mail	On the front
Number of letterboxes	with 1 letterbox
Boxes by volume	Large > 16 litres
Mounting type	Surface-mounted

Dimensions

Height of single box in mm	400,0
Width of single box in mm	400,0
Capacity in litres	19,5
Height of letterbox slot in mm	35,0
Width of letter slot in mm	360,0
Total width in mm	410,0
Depth in mm	125,0
Weight in kg	11
Delivery condition	Supplied fully assembled

Drawing



More images



