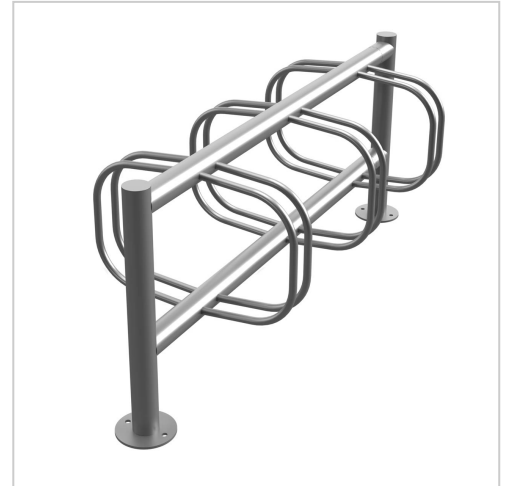


# Bicycle stand ACHIM - Stainless steel V2A polished - Double-sided wheel adjustment | double-sided wheel adjustment | 6-fold | Stainless steel, ground

Product number 670X2-VA-6FACH



## Product description

### ACHIM bicycle stand

The elegant ACHIM bicycle stand for double-sided wheel adjustment with curved brackets creates an organic appearance with its rounded shapes that fits into any modern environment. The bike stand is made entirely of stainless steel V2A 1.4301, either polished or powder-coated, and is available in 8 different sizes. The material and workmanship are characterised by the highest quality. Durable weather resistance and absolute robustness against high mechanical loads are a matter of course with this multiple bike rack. In addition, the ACHIM bicycle rack enables theft-proof parking of bicycles, as all components are welded together.

- Bicycle rack made entirely of stainless steel V2A 1.4301, 240 grit polished or powder-coated.
- The bike rack is manufactured by Briefkasten Manufaktur. German quality production "Made in Germany".
- Tyre width 60 mm.
- Wheel centre distance 430 mm.
- Adjustment angle 90°.
- Stainless steel bracket made of Ø 15 mm round steel, 240 grit polished.
- The uprights and crossbars are made of 60.3 mm stainless steel V2A 1.4301, 240 grit polished, optionally for screw mounting or setting in concrete.

## Product properties

**Mounting type** Free-standing

**Material** Stainless steel V2A 1.4301

**Surface/colour** Brushed

## Dimensions

**Overall height in mm** 605,0

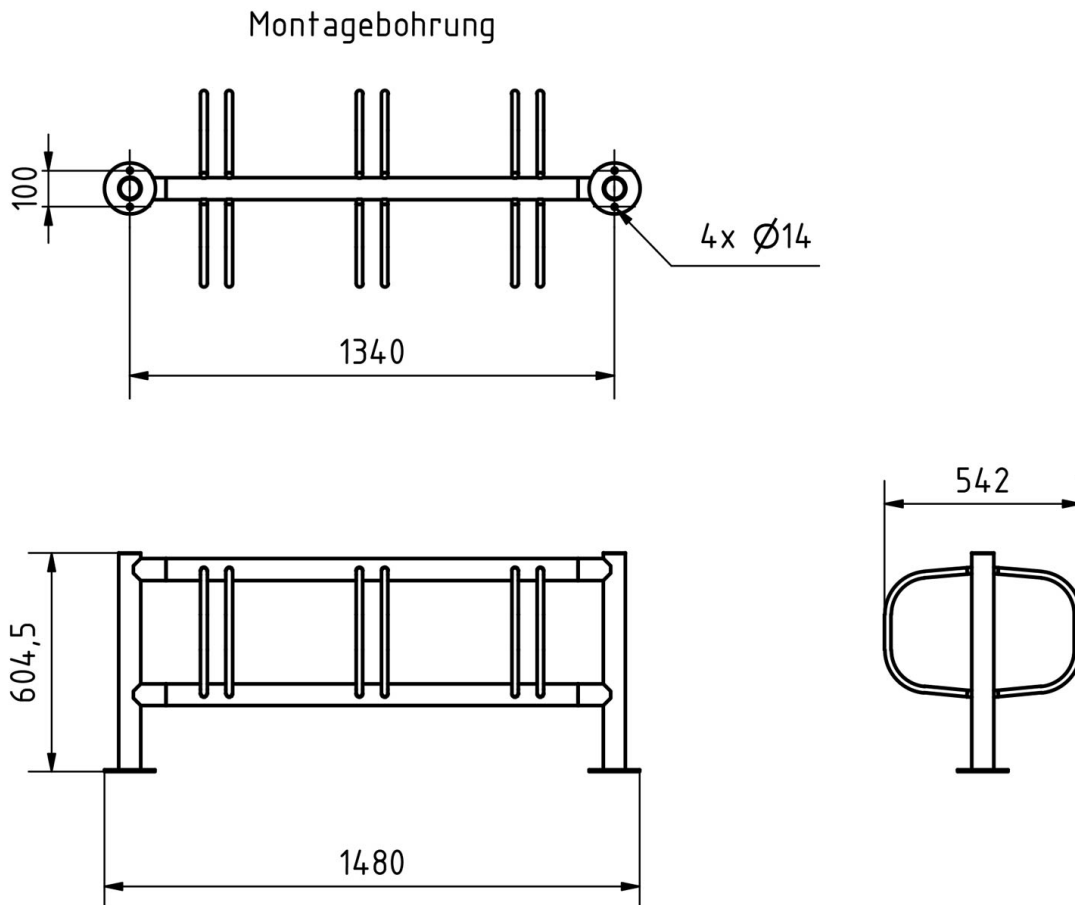
**Total width in mm** 970.0 | 1400.0 | 1830.0 | 2260.0 (without footplate)

**Depth in mm** 542,0

**Weight in kg** 25,0 - 75,0

**Delivery condition** Delivery is assembled

Drawing



## More images

