

Flush-mounted nameplate for GOETHE letterbox - 2-part - carrier plate + nameplate | ? RAL of your choice

Product number 789-E-2T-215-RAL



Product description

Flush-fitting nameplate for GOETHE letterbox - 2-part - carrier plate + nameplate optionally with laser inscription

This nameplate can be replaced with the plastic nameplate for GOETHE letterboxes. The flush-mounted look makes the letterbox look much more elegant and modern with this nameplate. The nameplate is made of stainless steel V2A 1.4301 and can be powder-coated as required. The nameplate is in 2 parts, consisting of a carrier plate and the nameplate for screwing. This guarantees that the nameplate can be easily replaced when the tenant changes.

- Nameplate made of 2 mm stainless steel V2A 1.4301, ground or powder-coated.
- Consisting of carrier plate and nameplate. The carrier plate and the nameplate are screwed together. Can be changed at any time.
- Optionally with laser labelling. The size of the lettering is adapted to the space available and the number of characters.

Product properties

Surface/colour RAL 9005 deep black, DB 703 iron mica, RAL 7016 anthracite grey, RAL of your choice (according to colour table), RAL 9007 grey aluminium, RAL 9016 traffic white

Material Stainless steel V2A 1.4301

Name labelling Laser-engraved

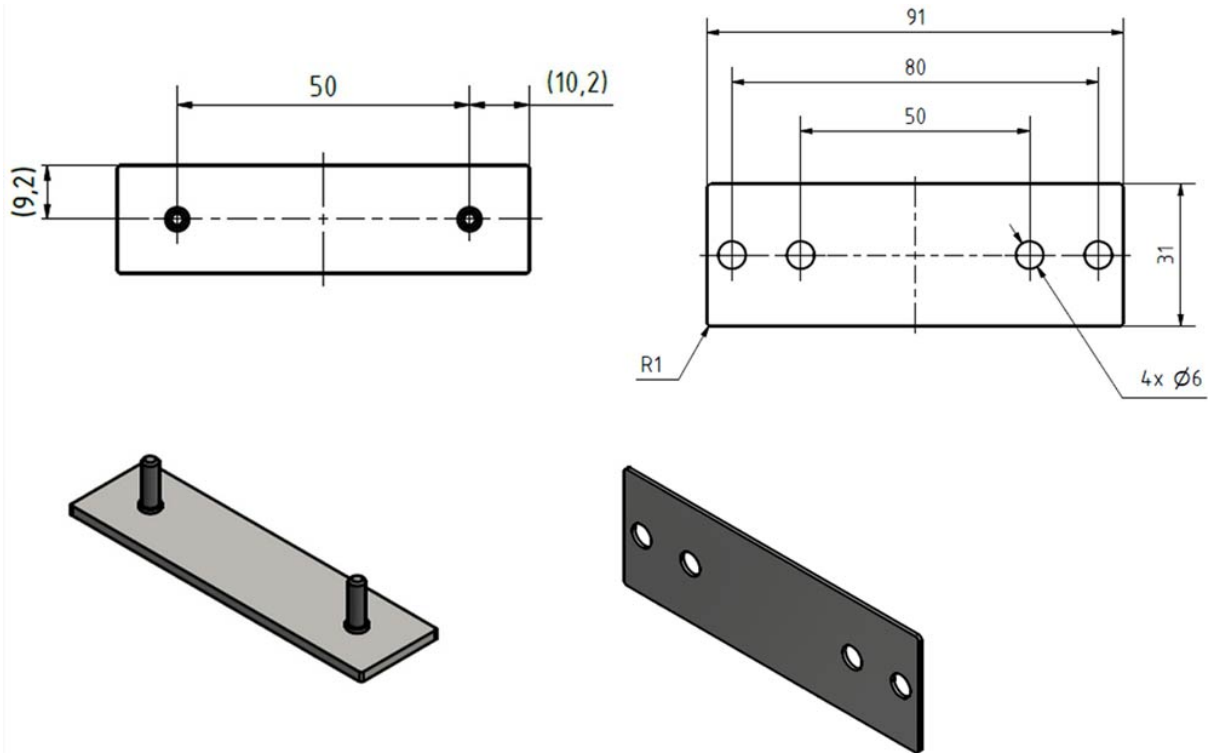
Dimensions

Width in mm 70

Height in mm 18

Depth in mm 1,0

Drawing



More images

