

# ACHIM bicycle stand - Stainless steel powder-coated in RAL colour - One-sided wheel adjustment | ? Colour of your choice | 2-fold | Single-sided wheel alignment

Product number 670-VAR-2FACH



## Product description

### ACHIM bicycle stand

The elegant ACHIM bicycle stand for double-sided wheel adjustment with curved brackets creates an organic appearance with its rounded shapes that fits into any modern environment. The bike stand is made entirely of stainless steel V2A 1.4301, either polished or powder-coated, and is available in 8 different sizes. The material and workmanship are characterised by the highest quality. Durable weather resistance and absolute robustness against high mechanical loads are a matter of course with this multiple bike rack. In addition, the ACHIM bicycle rack enables theft-proof parking of bicycles, as all components are welded together.

- Bicycle rack made entirely of stainless steel V2A 1.4301, 240 grit polished or powder-coated.
- The bike rack is manufactured by Briefkasten Manufaktur. German quality production "Made in Germany".
- Tyre width 60 mm.
- Wheel centre distance 430 mm.
- Adjustment angle 90°.
- Stainless steel bracket made of Ø 15 mm round steel, 240 grit polished.
- The uprights and crossbars are made of 60.3 mm stainless steel V2A 1.4301, 240 grit polished, optionally for screw mounting or setting in concrete.

## Product properties

**Surface/colour** RAL 9005 deep black, RAL 3004 crimson red, DB 703 iron mica, RAL 7016 anthracite grey, RAL of your choice (according to colour table), RAL 9007 grey aluminium, RAL 9016 traffic white

**Mounting type** Free-standing

**Material** Stainless steel V2A 1.4301

## Dimensions

**Overall height in mm** 605,0

**Total width in mm** 970.0 | 1400.0 | 1830.0 | 2260.0 (without footplate)

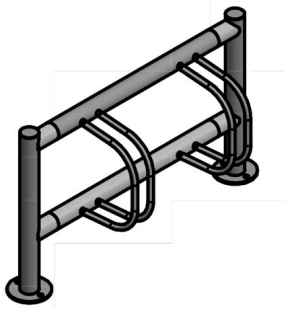
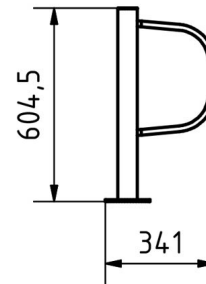
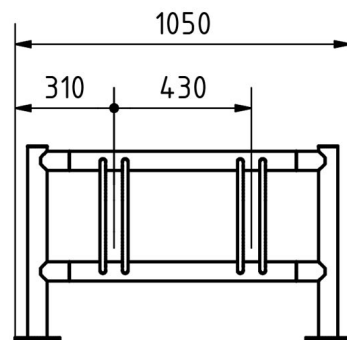
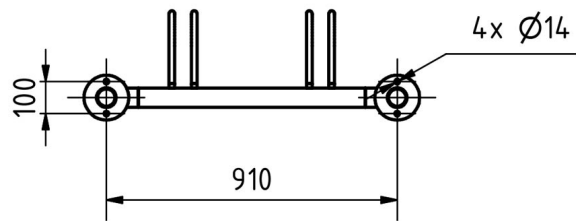
**Depth in mm** 300.0 (without footplate)

**Weight in kg** 25,0 - 75,0

**Delivery condition** Delivery is assembled

Drawing

Montagebohrungen ( 1 : 20 )



## More images

