

# Design wall light KEPLER SMALL 150x105 - 2-sided - polished stainless steel | 150mm x 105mm | Stainless steel, ground

Product number 633VA



## Product description

### Design wall light KEPLER SMALL 150x105 - 2-sided - polished stainless steel

High-quality wall light for outdoor and indoor use made of polished stainless steel. This luminaire with warm white light colour has a light outlet on both the top and bottom.

- The wall light is made of cast aluminium, stainless steel and opal glass.
- Integrated LED module 2 x LED 5.8 W incl. converter, direct connection 230V, 50Hz, light colour white, 3000°K.
- Protective conductor connection.
- Protection class IP 44 - splash-proof.
- With cast aluminium mounting plate for fixing.
- 2 fixing holes 10x6 mm in the wall plate, vertical spacing 60mm, horizontal spacing 100mm, cable entry with cable grommet for connection cable max. 1.5mm<sup>2</sup>, connection terminal 2x2.5mm<sup>2</sup>.
- CE mark of conformity.
- Manufactured by Gebrüder Albert GmbH & Co KG Leuchtenfabrik - Quality Made in Germany (Fröndenberg).

#### Installation:

The national and international electronic safety regulations must be observed for the installation and operation of this luminaire. Loosen the wall plate from the luminaire fitting using the four hexagon socket set screws, pull the mains connection cable through the existing cable grommet and screw the wall plate to the mounting base. Make the protective conductor connection and electrical connection to the terminal. Fix the luminaire fitting over the wall plate and tighten it against the wall plate using the four hexagon socket set screws.

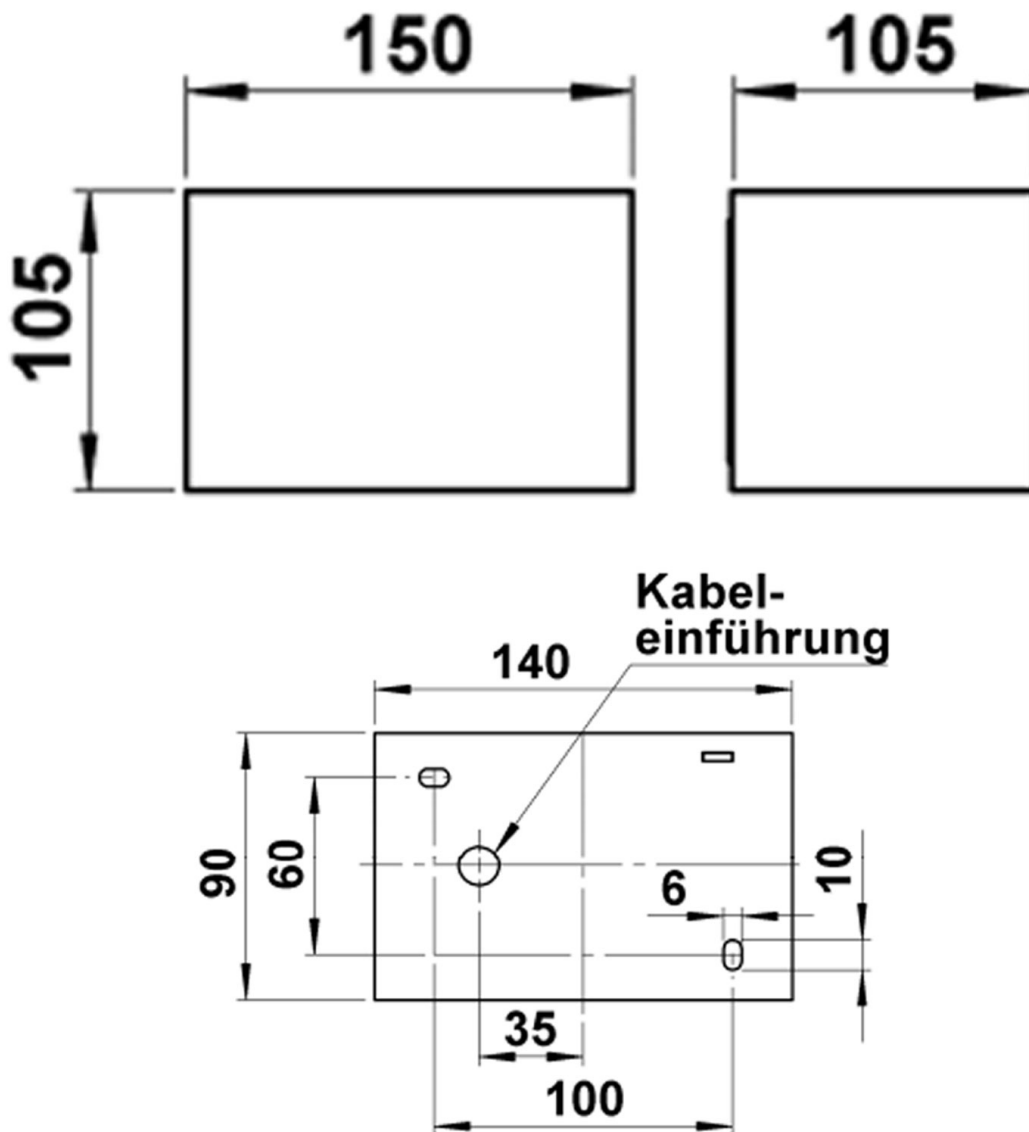
## Product properties

<b>Protection type</b>	IP44
<b>Illuminants</b>	2x LED, 5,8 Watt
<b>Series</b>	KEPLER
<b>Material</b>	Aluminium AlMg3 W19, Stainless steel V2A 1.4301
<b>Surface/colour</b>	Brushed
<b>Protection class</b>	I

## Dimensions

Width in mm	150
Height in mm	105
Depth in mm	105,0
Delivery condition	Supplied fully assembled

## Drawing



More images

