

Socket outlet pillar BASIC 372 for floor mounting - polished V2A stainless steel - powder-coated stainless steel | 6-fold | SCHUKO socket | Bi-colour polished stainless steel | ? Colour of your choice

Product number 372-BI-6FACH



Product description

Socket outlet pillar BASIC 372 for floor mounting - polished V2A stainless steel - powder-coated stainless steel

Modern socket outlet pillar made entirely of V2A stainless steel. As a bi-colour combination with socket outlets in polished stainless steel and powder-coated stainless steel body. The side panelling and rain cover made of 2 mm stainless steel, as well as the IP44 socket outlet, make this socket pillar completely weatherproof and perfectly suitable for outdoor use.

- Socket outlet pillar made entirely of V2A stainless steel.
- The socket pillar is manufactured by Briefkasten Manufaktur. German quality production "Made in Germany".
- Body and cover made of stainless steel V2A 1.4301, powder-coated in RAL/DB colour.
- Side cladding and rain cover made of 2 mm stainless steel V2A 1.4301, powder-coated in RAL/DB colour.
- Socket outlets 16 A 250 V ~ with hinged cover made of stainless steel V2A 1.4301, polished. Protection class IP 44 (splash water).
- Hinged cover (with return spring) and with spring terminals for rigid and untreated flexible conductors up to 2.5 mm². Connection terminals in accordance with DIN VDE 0620.
- Foot plate made of 5 mm stainless steel for screw mounting.

Product properties

Surface/colour	RAL 9005 deep black, RAL 3004 crimson red, DB 703 iron mica, RAL 7016 anthracite grey, RAL of your choice (according to colour table), Brushed, RAL 9007 grey aluminium, RAL 9016 traffic white
Series	BASIC
Charging connection	SCHUKO
Mounting type	Free-standing
Material	Stainless steel V2A 1.4301

Abmessungen

Width in mm: 112 | 182

Height in mm: 362 | 337

Depth in mm: 132,0

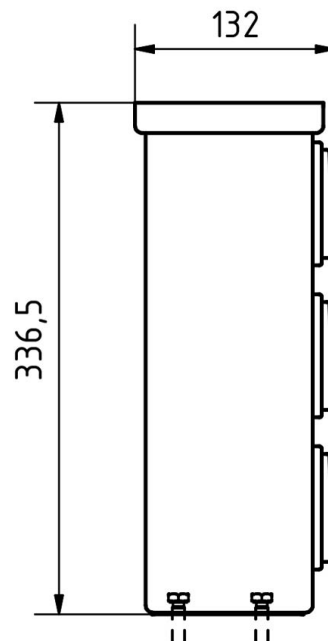
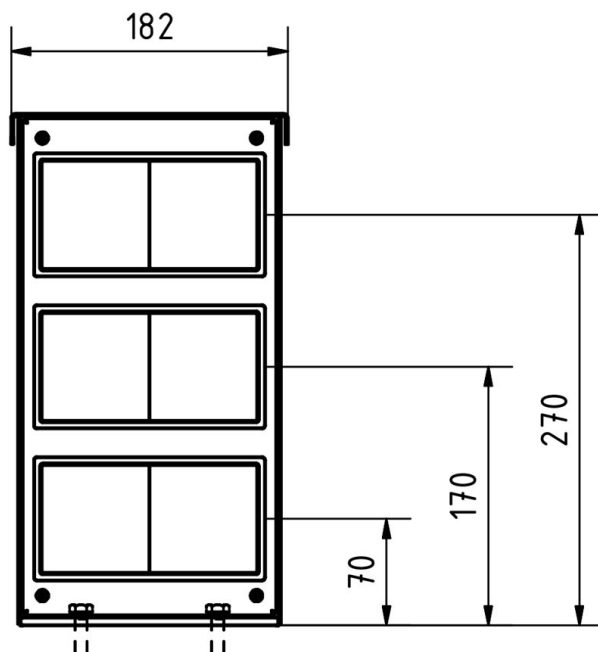
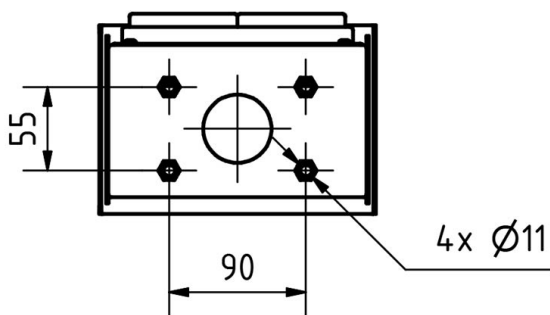
Weight in kg: 6

Delivery condition: Supplied fully assembled

Shipping information: Depending on the order volume, delivery will be by parcel post or bulky goods. Partial deliveries are possible for dismountable products (e.g. stand mailboxes can be shipped separately).

Drawing

Montagebohrungen



More images



