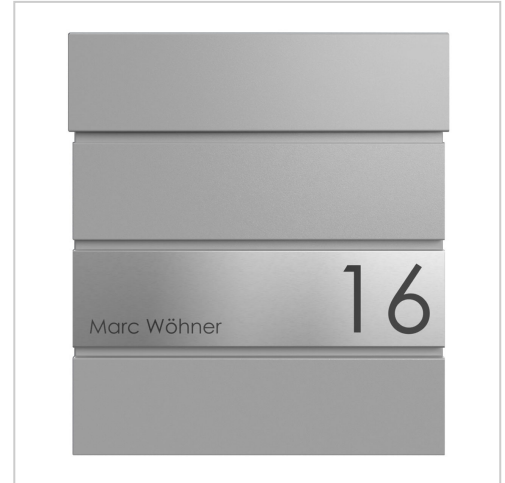


KANT Edition letterbox with newspaper compartment - Elegance 1 design - RAL 9007 grey aluminium | RAL 9007 grey aluminium fine structure matt

Product number 303-9007VA-AP



Product description

KANT Edition letterbox with newspaper compartment - Elegance 1 design - RAL 9007 grey aluminium

The KANT Edition letterbox combines **elegant design** and functional convenience in one product. Its minimalist design with invisible lock and stylish labelling option fits seamlessly into modern living environments. You can rely on **long-lasting quality** thanks to our excellent choice of materials and precise workmanship.

The generous capacity of around 12 litres and top-loading ensures crease-free mail - even with DIN C4 envelopes and magazines. For added convenience, the letterbox is equipped with **high-quality axle dampers** that allow the flap to close gently and quietly. The newspaper compartment of this letter box offers maximum functionality with double-sided posting, ideal for modern everyday life. The scope of delivery includes a cover that can be retrofitted, giving you the option of reliably closing the weather side.

Thanks to the design, self-assembly is uncomplicated.

- High-quality surface-mounted letterbox made of galvanised steel, powder-coated in RAL 9007 grey aluminium fine structure matt.
- Elegance 1 design: stainless steel trim, 240 grit polished.
- The door can be opened from top to bottom.
- Insertion from above, insertion flap with high-quality axle dampers for silent closing.
- Includes 2 keys with key number.
- The letterbox complies with DIN/EN 13724. Insertion size (3.5 cm x 33.5 cm) for C4 landscape, large letters also fit in here without creasing.
- Newspaper compartment (BH 360x110mm) made of galvanised steel, powder-coated in RAL 9007 grey aluminium fine structure matt. Open on both sides (1x cover included).
- Optional name lettering approx. 8-25mm high.
- Optional house number labelling approx. 60-80mm high.
- For surface wall mounting including mounting screws.

Important information:

To achieve optimum water protection for your mail, the letterbox or letterbox system should be located under a canopy if possible.

The mail is only protected from water if it is fully inserted in the box and the flap is closed. Mail that is not fully inserted allows moisture and dirt to enter the letterbox. This system is protected against the ingress of water in accordance with DIN EN 13724. Water ingress is not a reason for complaint.

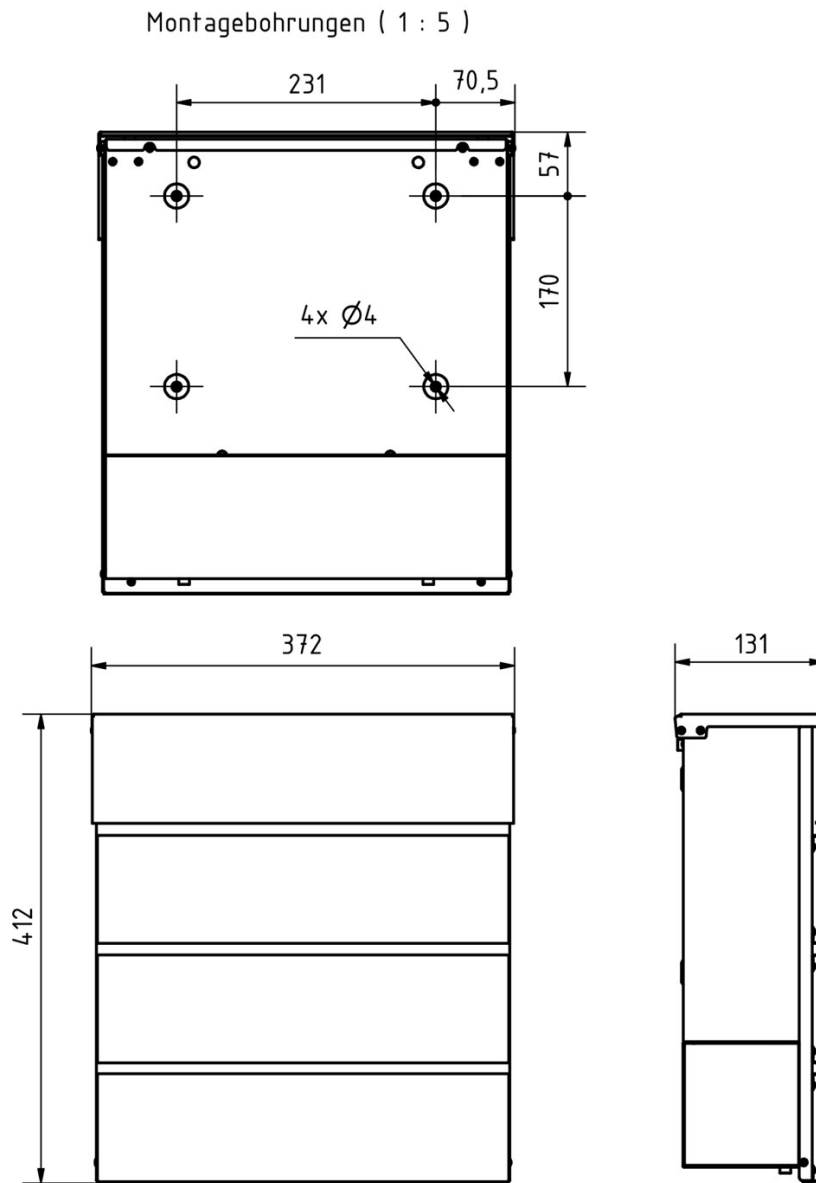
Product properties

Material	Steel, galvanised, Stainless steel V2A 1.4301
Series	KANT
Functions	Newspaper compartment
Boxes by volume	Normal > 10 litres
House number	House number as laser engraving
Name labelling	Laser-engraved
Removal of mail	On the front
Number of boxes	with 1 letterbox
Surface/colour	Brushed, RAL 9007 grey aluminium
Mounting type	Surface-mounted

Dimensions

Height of single box in mm	BK 280.0 ZF 110.0
Width of single box in mm	355,0
Capacity in litres	12
Height of letterbox slot in mm	35,0
Width of letter slot in mm	335,0
Height of letterbox in mm	412,0
Width of letterbox system in mm	372,0
Depth in mm	110.0 + 21.0 Aperture
Weight in kg	6
Delivery condition	Supplied fully assembled

Drawing



More images



