

Design pedestal letterbox SCHILLER MEDIUM - stainless steel - RAL 7016 anthracite grey | Door hinge left * Lock right

Product number 138ST-VA7016-SR



Product description

SCHILLER MEDIUM designer free-standing letterbox - stainless steel - RAL 7016 anthracite grey

High-quality stainless steel designer letterbox for free-standing installation including newspaper compartment with body in RAL 7016 anthracite grey fine structure, matt. This letterbox is solidly manufactured and the base material is made entirely of stainless steel. This ensures optimum rust protection. The design also provides optimum water protection. The lock side can be selected to suit left-handed or right-handed users, so that one-handed operation is possible.

The dimensions allow for a capacity of approx. 12 litres, and the top-loading guarantees no crumpled mail, even with DIN C4 envelopes and magazines or after several days of absence. This free-standing letterbox is designed so that you can keep your hands free when opening it, and the internal structure prevents mail from falling towards you. By inserting the mail from above, the mail inside is optimally protected from the weather. The lid is secured with rubber buffers to prevent annoying rattling.

- High-quality stainless steel design free-standing letterbox.
- Body made of 1.25 mm stainless steel, powder-coated in RAL 7016 anthracite grey fine structure, matt.
- Front panels 1.5 mm stainless steel, polished.
- Available with door hinged on the left (lock on the right) or door hinged on the right (lock on the left).
- High-quality lock on the side incl. 2 keys with key number.
- Post insertion from above, insertion size suitable for C4 envelopes.
- Optimum water protection.
- Optional name labelling, lasered approx. 10 mm high.
- Optional house number labelling, lasered approx. 80-100mm high.
- The pedestals are made of 40 mm x 40 mm rectangular tube stainless steel V2A, polished. For screwing on or setting in concrete.

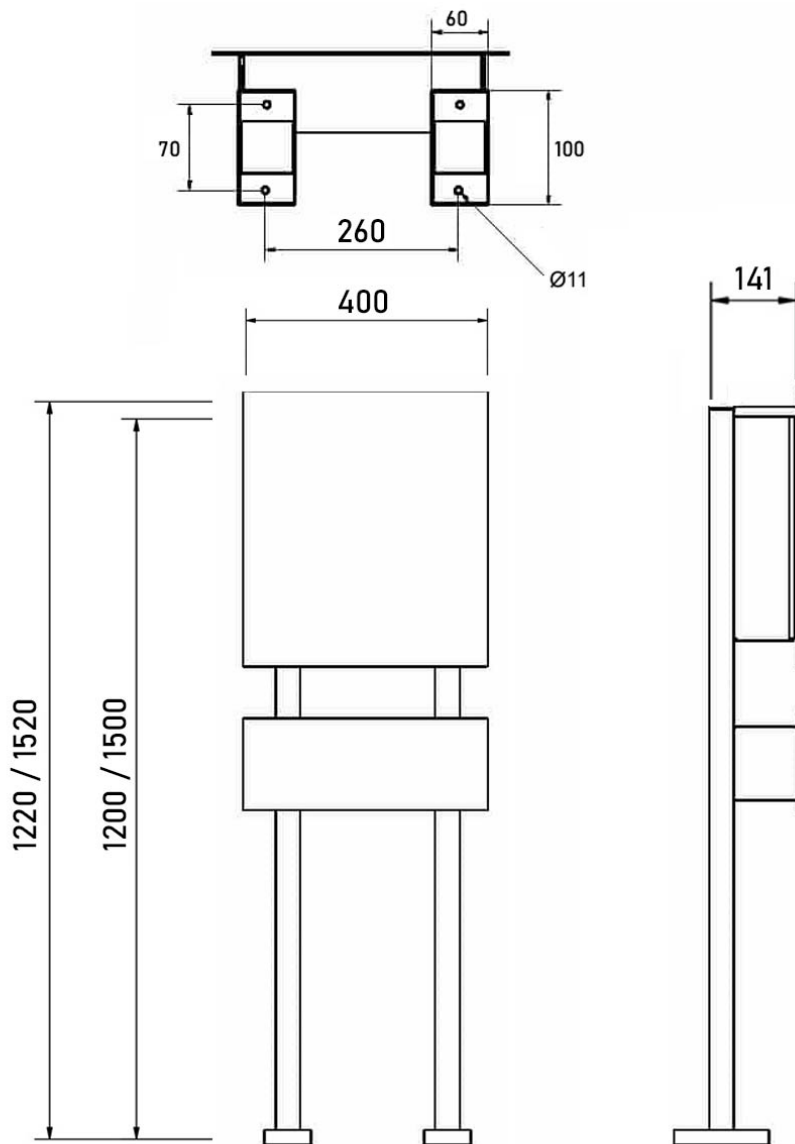
Product properties

Series	SCHILLER
Functions	Newspaper compartment
Boxes by volume	Normal > 10 litres
Mounting type	Free-standing
Material	Stainless steel V2A 1.4301, Stainless steel 1.4016 (non-rusting magnetic stainless steel)
House number	House number as laser engraving
Name labelling	Laser-engraved
Removal of mail	On the front
Number of letterboxes	with 1 letterbox

Dimensions

Height of single box in mm	Body 385.0 Front panel 450.0
Width of single box in mm	Body 320.0 Front panel 400.0
Capacity in litres	12
Height of letterbox slot in mm	32,0
Width of letter slot in mm	305,0
Overall height in mm	1200,0 1500,0
Depth in mm	100.0 + 40.0 Stand element + 10.0 Front panel
Weight in kg	21
Delivery condition	Supplied in blocks, stand elements / letterbox divided

Drawing



More images

