

Design free-standing letterbox & newspaper compartment SCHILLER SMALL VAR - stainless steel V2A, powder-coated in RAL 7016 anthracite grey | RAL 7016 anthracite grey, fine structure, matt | Lock left * Door hinge right

Product number 138SST-VAR-7016-SL



Product description

SCHILLER SMALL VAR designer free-standing letterbox & newspaper compartment - V2A stainless steel, powder-coated

Discover our elegant free-standing letterbox, made of high-quality stainless steel, ideal for any modern home or office. This letterbox combines aesthetic elegance with functional robustness and is powder-coated in various RAL colours of your choice to blend in perfectly with your exterior design.

The front panel of the letterbox is made of 2 mm thick stainless steel and can also be powder-coated in a RAL colour of your choice. The 1.25 mm thick stainless steel body offers optimum rust protection and is also available in the colour of your choice. The free-standing letterbox has an elegant rectangular pillar, solidly manufactured from 2 mm stainless steel V2A 1.4301. The pillar is powder-coated in a RAL colour of your choice and can be installed either by screw mounting or by setting in concrete, giving you flexibility in terms of placement. The high-quality lock on the side of the letterbox includes 2 keys with key number. It is available with the door hinged on the left (lock on the right) or the door hinged on the right (lock on the left) to enable one-handed operation and give you the choice of which side is more practical for you. The top letter slot is ideal for C4 envelopes and provides optimum protection for your mail from the weather. In addition, the letter insertion flap is fitted with rubber buffers to prevent annoying rattling. The special features include a practical newspaper compartment measuring 320 mm wide x 85 mm high x 90 mm deep. It is open on both sides and includes a lid for locking on one side to keep your newspapers and magazines protected and easily accessible.

The dimensions of the letterbox body are 335x320 mm (height x width), those of the front panel 360x340 mm (height x width). Each letterbox system comes with 2 keys as standard.

- High-quality manufactured free-standing letterbox with newspaper compartment, powder-coated in RAL/DB of your choice.
- Dimensions of newspaper compartment W 320 mm x H 85 mm x D 90 mm. Open on both sides. Incl. cover for locking on one side.
- Front panels 2 mm stainless steel, powder-coated in RAL/DB of your choice.
- Available with door hinged on the left (lock on the right) or door hinged on the right (lock on the left).
- High-quality lock on the side incl. 2 keys with key number.
- Body 1.25 mm, stainless steel, powder-coated in RAL/DB colour of your choice.
- Post insertion from above, insertion size suitable for C4 envelopes.
- Optimum water protection.
- Optional name labelling, lasered approx. 8-25mm high.
- Optional house number labelling, lasered approx. 60-100mm high.
- The pedestal is made of W 80 mm x D 40 mm stainless steel V2A 1.4301, powder-coated in RAL/DB of your choice, for screw mounting or setting in concrete.

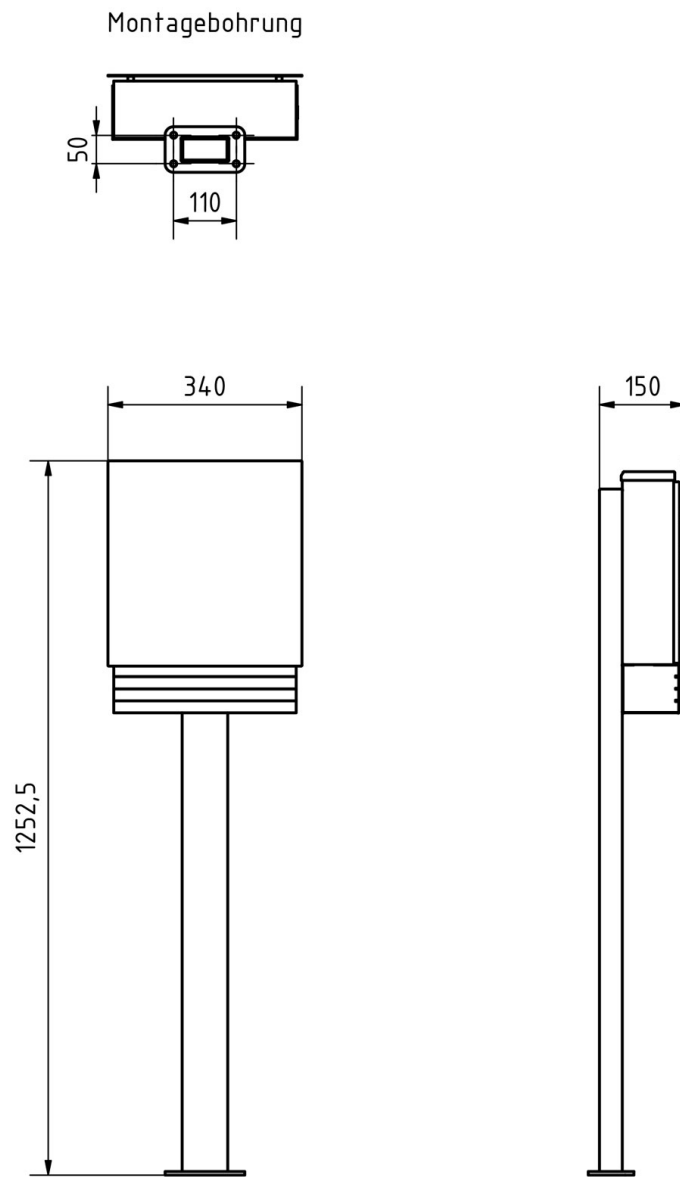
Product properties

Series	SCHILLER
Functions	Newspaper compartment
Boxes by volume	Normal > 10 litres
Mounting type	Free-standing
Material	Stainless steel V2A 1.4301, Stainless steel 1.4016 (non-rusting magnetic stainless steel)
House number	House number as laser engraving
Surface/colour	RAL 7016 anthracite grey
Name labelling	Laser-engraved
Removal of mail	On the front
Number of boxes	with 1 letterbox

Dimensions

Height of single box in mm	Body with ZF 420.0 Front panel 360.0 Newspaper compartment 85.0
Width of single box in mm	Body with ZF 320.0 front panel 340.0 newspaper compartment 320.0
Capacity in litres	10
Height of letterbox slot in mm	32,0
Width of letter slot in mm	305,0
Overall height in mm	1200,0
Depth in mm	90.0 + 40.0 Stand element + 10.0 Front panel
Weight in kg	17
Delivery condition	Supplied in blocks, stand elements / letterbox divided

Drawing



More images

