

Stainless steel flush-mounted letterbox BASIC Plus 382XU UP Elegance II - RAL of your choice | 100mm depth

Product number 382XU-1-E2-100



Product description

Stainless steel flush-mounted letterbox BASIC Plus 382XU UP Elegance II - RAL of your choice

Modern flush-mounted letterbox - made in Germany by Briefkasten Manufaktur. Complemented by the Elegance design cover with a discreet dividing line, a house number and name lettering as high-quality laser lettering in grey font colour.

The letterbox is made entirely of V2A stainless steel, powder-coated in RAL colour. The very high-quality workmanship and the well thought-out concept make this flush-mounted letterbox our top seller. A rain drainage edge for optimum water protection, a continuous rubber lip for quiet insertion, a practical post holder and the very robust lock characterise this flush-mounted letter box. The flush-mounted frame made of V2A stainless steel is fitted with a foam rubber seal and guarantees a very long service life.

The letterbox systems in the BASIC Plus collection are characterised by the consistent use of V2A stainless steel. The result is a very long service life and sustainability. The design has been developed by our own engineers with a view to high flexibility and modularity, simple spare parts assembly and uncomplicated self-assembly. Spare parts are directly available for all BASIC Plus systems.

- Flush-mounted letterbox made entirely of V2A stainless steel with letterbox, powder-coated in RAL colour of your choice.
- The system is manufactured by Briefkasten Manufaktur. German quality production "Made in Germany".
- The letter box complies with DIN/EN 13724. Insertion size (3.5 cm x 32.5 cm) for C4 landscape, large letters also fit in here without creasing.
- Insertion flap with sound-absorbing rubber seal for very quiet insertion of mail.
- The door can be opened from left to right.
- Incl. 2 keys with key number and post holder.
- Large capacity thanks to optional letterbox depth +50 mm = approx. 17 litres. Suitable for companies and households with very high mail volumes.
- Cover made of stainless steel V2A 1.4301, polished. Optionally with laser inscription in grey. House number approx. 80-100mm high & name lettering approx. 15-25mm high.
- Plaster cover frame made of stainless steel angle profile 25 x 58 mm, powder-coated in RAL colour.

Important information:

The post is only protected from moisture and dirt when it is fully inserted and the flap is closed. Under certain extreme weather conditions, water can still enter (up to 1ccm according to DIN EN 13724). This is not a reason for complaint.

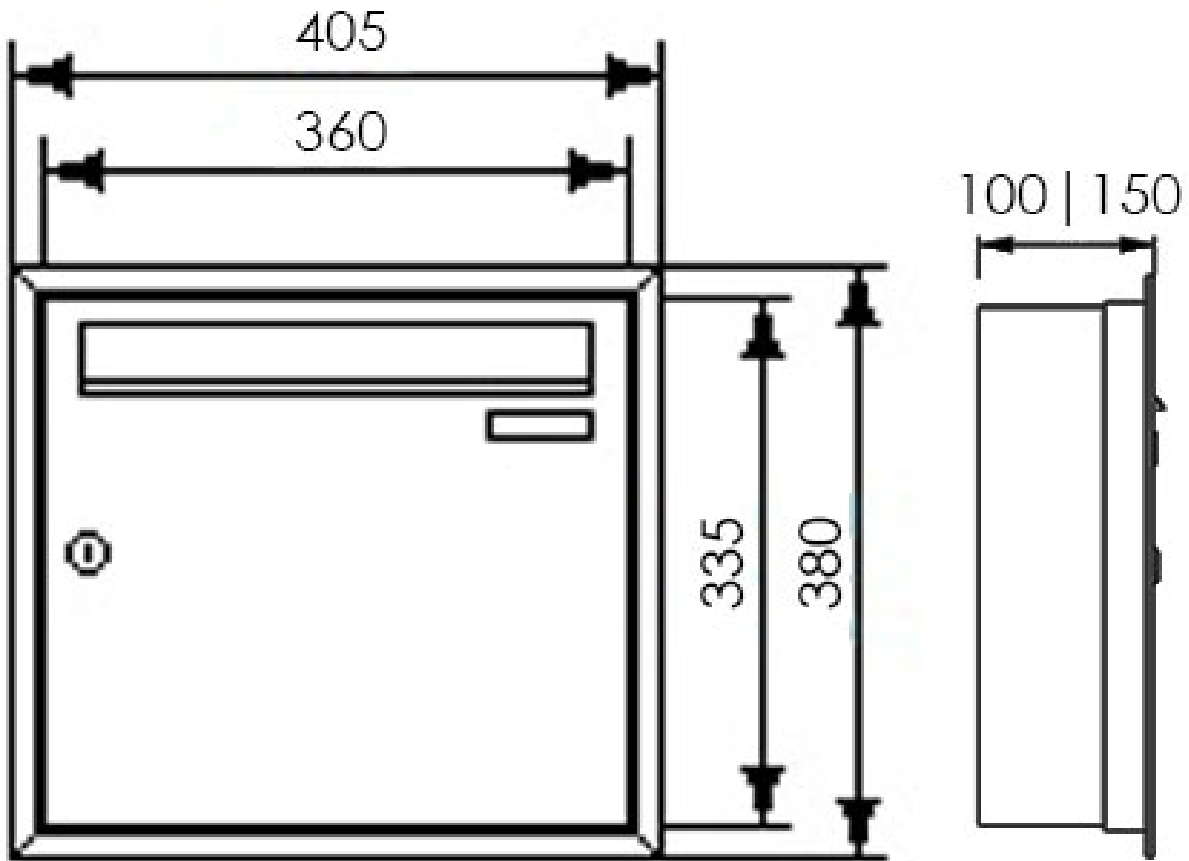
Product properties

Surface/colour	RAL 9005 deep black, RAL 3004 crimson red, DB 703 iron mica, RAL 7016 anthracite grey, RAL of your choice (according to colour table), Brushed, RAL 9007 grey aluminium, RAL 9016 traffic white
Series	BASIC
Boxes by volume	Normal > 10 litres
Material	Stainless steel V2A 1.4301
House number	House number as laser engraving
Name labelling	Laser-engraved
Removal of mail	On the front
Number of boxes	with 1 letterbox
Mounting type	Flush-mounted

Dimensions

Height of single box in mm	330,0
Width of single box in mm	355,0
Capacity in litres	12,0 17,0
Height of letterbox slot in mm	35,0
Width of letter slot in mm	325,0
Height of letterbox in mm	380,0
Width of letterbox system in mm	405,0
Depth in mm	100,0 150,0
Weight in kg	6
Delivery condition	Supplied fully assembled

Drawing



More images



