

2-piece stainless steel free-standing letterbox Design BASIC Plus 381X ST R with advertising sign 710x460 & closed newspaper compartment | 100mm depth

Product number 381X-VA-2W-ZFG-WS-100



Product description

2-post stainless steel letterbox Design BASIC Plus 381X ST R with advertising sign 710x460 & newspaper compartments closed - polished V2A stainless steel

Modern free-standing letterbox for 2 parties - made in Germany by Briefkasten Manufaktur.

The complete letterbox system is made of weather-resistant stainless steel V2A 1.4301, polished. The very high-quality workmanship and the well thought-out concept make this free-standing letter box our top seller. A rain drainage edge for optimum water protection, a continuous rubber lip for quiet insertion, the solid interchangeable nameplate, a practical post holder and the very robust lock characterise this free-standing letterbox. The side panelling with protruding rain cover made of V2A stainless steel offers optimum protection against the weather and guarantees a very long service life. The advertising sign is polished on the front (without lettering/printing) and can be fitted with adhesive foil, laser lettering or engraving on site. The ideal solution for outdoor presentation.

The letterbox systems in the BASIC Plus collection are characterised by the consistent use of V2A stainless steel. The result is a very long service life and sustainability. The design has been developed by our own engineers with a view to high flexibility and modularity, simple spare parts assembly and uncomplicated self-assembly. Spare parts are directly available for all BASIC Plus systems.

- **2-post letterbox made of V2A stainless steel, polished**
- The system is manufactured by Briefkasten Manufaktur. German quality production "Made in Germany".
- The letterboxes comply with DIN/EN 13724. Insertion size (3.5 cm x 32.5 cm) for C4 landscape, large letters also fit in here without creasing.
- Insertion flap with sound-absorbing rubber seal for very quiet mail insertion.
- The door can be opened from left to right.
- Incl. 2 keys with key number, interchangeable nameplate (type 2) under the flap and post holder.
- 2x newspaper compartment with door and toggle lock made of stainless steel V2A 1.4301, polished. Laser inscription "ZEITUNG" grey. Dimensions: 355x165x100mm.
- Large capacity thanks to optional letterbox depth +50 mm = approx. 17 litres. Suitable for companies and households with very high mail volumes.
- Incl. side panelling + rain cover made of V2A stainless steel, polished.
- The stainless steel plate is polished on the front (without labelling/printing) and can be fitted with adhesive foil, laser labelling or engraving on site.
- The printing area has a surface area of W 703 mm x H 450 mm.
- The stand elements are made of 42.4 mm V2A stainless steel, polished for screw mounting or setting in concrete.

Important information:

The post is only protected from moisture and dirt when it is fully inserted and the flap is closed. Under certain extreme weather conditions, water can still get in (up to 1ccm according to DIN EN 13724). This is not a reason for complaint.

Product properties

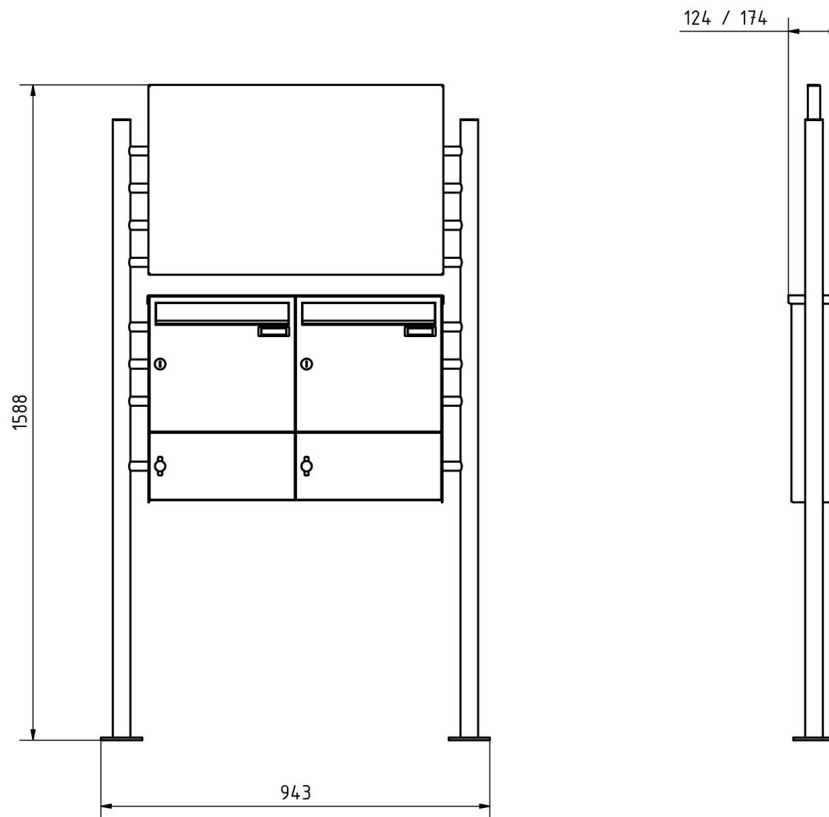
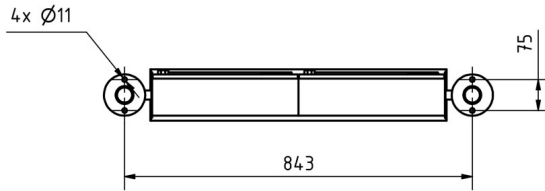
Series	BASIC
Functions	Newspaper compartment
Boxes by volume	Normal > 10 litres
Name labelling	Nameplate
Mounting type	Free-standing
Material	Stainless steel V2A 1.4301
Number of boxes	with 2 letterboxes
Removal of mail	On the front
Surface/colour	Brushed

Dimensions

Height of single box in mm	330,0
Width of single box in mm	355,0
Capacity in litres	12,0 17,0
Height of letterbox slot in mm	35,0
Width of letter slot in mm	325,0
Height of letterbox in mm	495,0
Width of letterbox system in mm	710,0
Overall height in mm	1500,0
Total width in mm	875,0
Depth in mm	100,0 150,0
Weight in kg	18
Delivery condition	Supplied in blocks, stand elements / letterbox divided

Drawing

Montagebohrungen



More images



