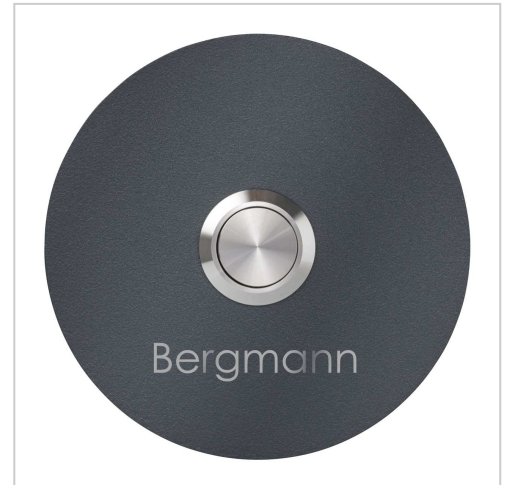


Stainless steel bell plate BASIC 421-80 powder-coated - ROUND | RAL 7016 anthracite grey, fine structure, matt | 80mm

Product number 421-80-7016



Product description

Stainless steel bell plate BASIC 421-80 powder-coated - ROUND

The BASIC bell plate in RAL colour has a very high-quality finish and a robust stainless steel push-button. Installation is simple by inserting the supplied dowels into the masonry, then the element is "hammered" into the dowels. This ensures optimum and secure fastening. The fixing material is included.

- Doorbell plate made of 2 mm stainless steel, powder-coated in RAL colour fine structure matt.
- Round stainless steel bell push, optionally with LED ring lighting.
- Dimensions: 80 x 2 mm (D x D).
- Optional name inscription, lasered approx. 7 mm high.

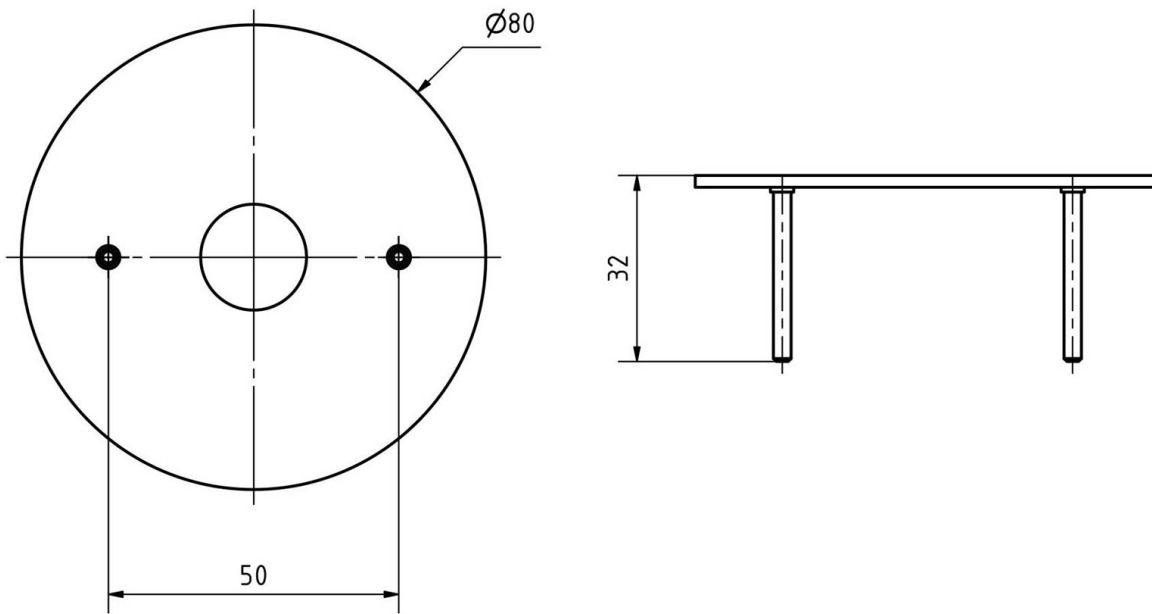
Product properties

Series	BASIC
Number of bell push buttons	1 button
Material	Stainless steel V2A 1.4301
Surface/colour	RAL 7016 anthracite grey
Name labelling	Laser-engraved
Mounting type	Surface-mounted, Flush-mounted

Dimensions

Width in mm	80
Height in mm	80
Depth in mm	UP 2.0 AP 33.0

Drawing



More images

