

Design doorbell pillar GOETHE 200x1600 - RAL of your choice | 6 bell pushes with nameplates

Product number 215-KLS-2001600-KL6



Product description

Design doorbell pillar GOETHE 200x1600 - RAL of your choice

The modern GOETHE doorbell pillar is ideal for demanding areas. The linear design makes this doorbell pillar look particularly elegant.

Thanks to the 3 mm side cladding with rain cover and the rear panel with base plate made of 6 mm aluminium, this doorbell pillar is absolutely weatherproof and perfectly suited for outdoor use. The bell pillar is available with 1-6 bell buttons. An intercom hole, camera and house number can be prepared as an option.

The doorbell pedestals in the GOETHE collection are characterised by the consistent use of stainless steel and aluminium. The result is a very long service life and sustainability. The design has been developed by our own engineers with a view to high flexibility and modularity, simple spare parts assembly and uncomplicated self-assembly. Spare parts for all GOETHE systems are available directly in our shop.

Thanks to the design, self-assembly is uncomplicated.

Protected utility model according to DPMA file number DE: 20 2021 101 679.5

- High-quality doorbell pillar made of stainless steel and aluminium.
- Quality production - Made in Germany by Briefkasten Manufaktur Lippe.
- 4x body (WxHxD 200 x 400 x 100 mm) made of stainless steel 1.4016 (non-rusting magnetic stainless steel), powder-coated in RAL of your choice.
- Functional boxes can be opened from top to bottom. Non-visible fixing with screws.
- House number approx. 70mm high (max. 3 digits) with energy-saving LED lighting 12V DC approx. 50mA / 1W, white.
- Replaceable Plexiglas nameplate, optionally illuminated.
- The inscriptions on the name plates can be changed from the front as required.
- Incl. EVN LED power supply unit / transformer IP65 12V/DC 0.1-4W for LED lighting (house number and nameplate if selected).
- 8-12V DC short-stroke bell push-button with white LED ring lighting.
- An 8-12V DC short-stroke light push-button with pictogram is available as an option.
- Preparation (built-in loudspeaker not included) for intercom system possible.
- Optionally with universal adapter for all commercially available built-in loudspeakers.
- Optional preparation (camera not included in scope of delivery) for a camera.
- Optimum rain protection thanks to rain guard edges and a rain canopy made of 3 mm aluminium AlMg3 W19, powder-coated in RAL of your choice.
- Side panelling made of 3mm aluminium AlMg3 W19, powder-coated in RAL of your choice.
- Rear panel and base plate made of 6mm aluminium AlMg3 W19, powder-coated in RAL of your choice.
- Invisible mounting in the doorbell pillar thanks to reinforced base plate.

Important information

Camera or intercom preparation

We recommend that the electrical installation is always carried out by an electrician.

We offer the preparation of cameras and intercoms from various manufacturers for our letterboxes. The preparation does not include any end devices, but only the provision of screw mounts, drill holes and perforations. This means that you can install your end device without any problems.

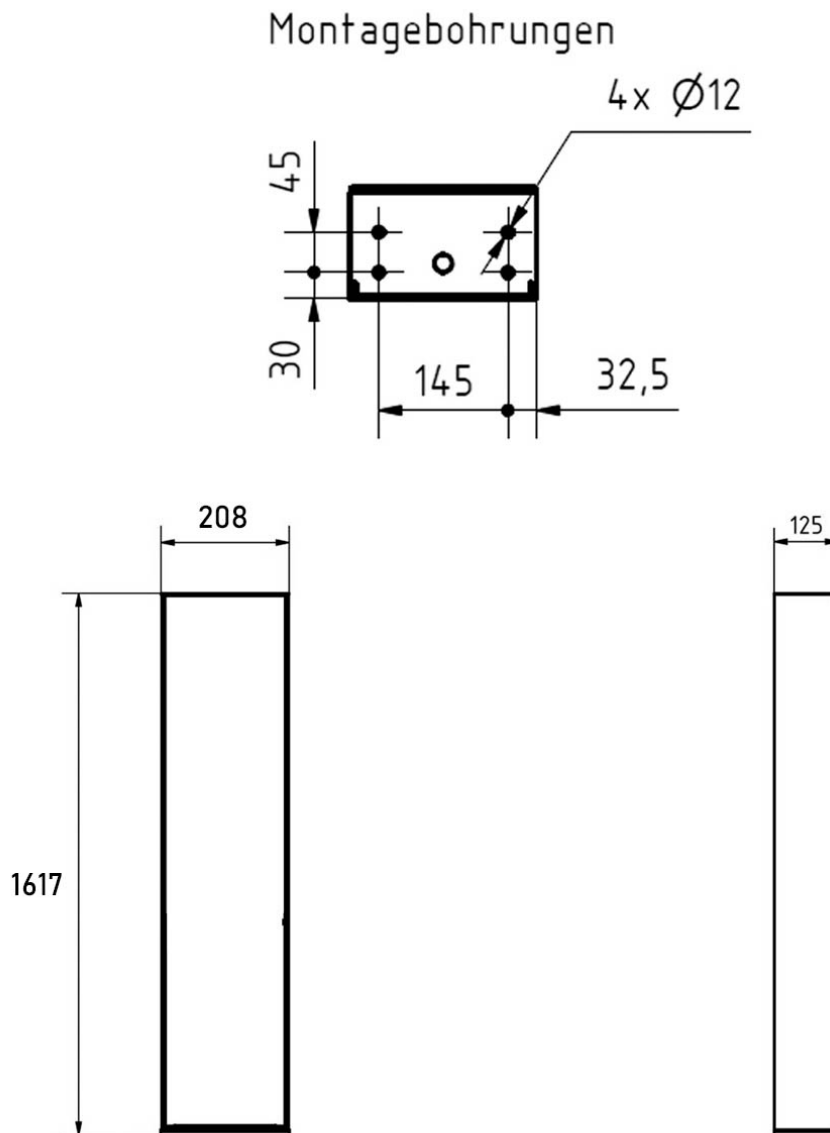
Product properties

Series	GOETHE
Number of bell push buttons	6 buttons
Functions	Light button, Camera, Intercom, Fingerprint, Keypad
Surface/colour	RAL 3004 crimson red, DB 703 iron mica, RAL 7016 anthracite grey, RAL of your choice (according to colour table), RAL 9007 grey aluminium, RAL 9016 traffic white
Functional box prepared for manufacturer	GIRA, Busch Jaeger, Siedle, STR Elektronik, ELCOM, TCS, Ritto, ALGO, Telegärtner, Auerswald, Legrand Bticino, HHG, HIKVISION, PCS, Sesam, ekey
Name labelling	Nameplate
Material	Aluminium AlMg3 W19, Stainless steel V2A 1.4301, Stainless steel 1.4016 (non-rusting magnetic stainless steel)
Mounting type	Free-standing

Dimensions

Height of single box in mm	400,0
Width of single box in mm	200,0
Overall height in mm	1617,0
Total width in mm	208,0
Depth in mm	100.0 + 25.0 Rain roof
Weight in kg	28
Delivery condition	Delivery is assembled

Drawing



More images

