

# 6 letterbox system freestanding Design BASIC 385-7016 ST-R - RAL 7016 anthracite grey | RAL 7016 anthracite grey, fine structure, matt | 300x110x385 mm (WxHxD) - ?? Normal 12 litres | with 6 letterboxes (1x6)

Product number 385-7016-6S



## Product description

### 6-post letter box design BASIC 385-7016 - Horizontal letter boxes - Anthracite grey RAL 7016

Modern free-standing letterbox for 6 parties made in Germany by Briefkasten Manufaktur.

The letterboxes are made of galvanised steel, powder-coated in anthracite grey RAL 7016, the stand elements are made of weather-resistant stainless steel V2A, polished. The very high-quality workmanship and the well thought-out concept make this letterbox system our top seller. A rain drainage edge for optimum water protection, a throw-in flap with rubber lip, the solid interchangeable nameplate and the robust lock characterise this free-standing letterbox. This letterbox is easy to clean and robust.

Thanks to the design, self-assembly is uncomplicated.

- **6-post letter box made of galvanised steel, powder-coated in anthracite grey RAL 7016**
- The system is manufactured by Briefkasten Manufaktur. German quality production "Made in Germany".
- The letterboxes comply with DIN/EN 13724. Insertion size (3.5 cm x 26.5 cm) for C4 high, large letters also fit in here without creasing.
- Insertion flaps with sound-absorbing rubber lip for very quiet mail insertion.
- The doors can be opened from left to right.
- Incl. 2 keys with key number and changeable name plate under the flap for each letterbox.
- With close-fitting side panelling and rain cover in solid design.
- The stand elements are made of 60.0 mm V2A stainless steel 1.4301, polished for screw mounting or setting in concrete.

#### Important information:

The post is only protected from moisture and dirt when it is fully inserted and the flap is closed. Under certain extreme weather conditions, water can still get in (up to 1ccm according to DIN EN 13724). This is not a reason for complaint.

## Product properties

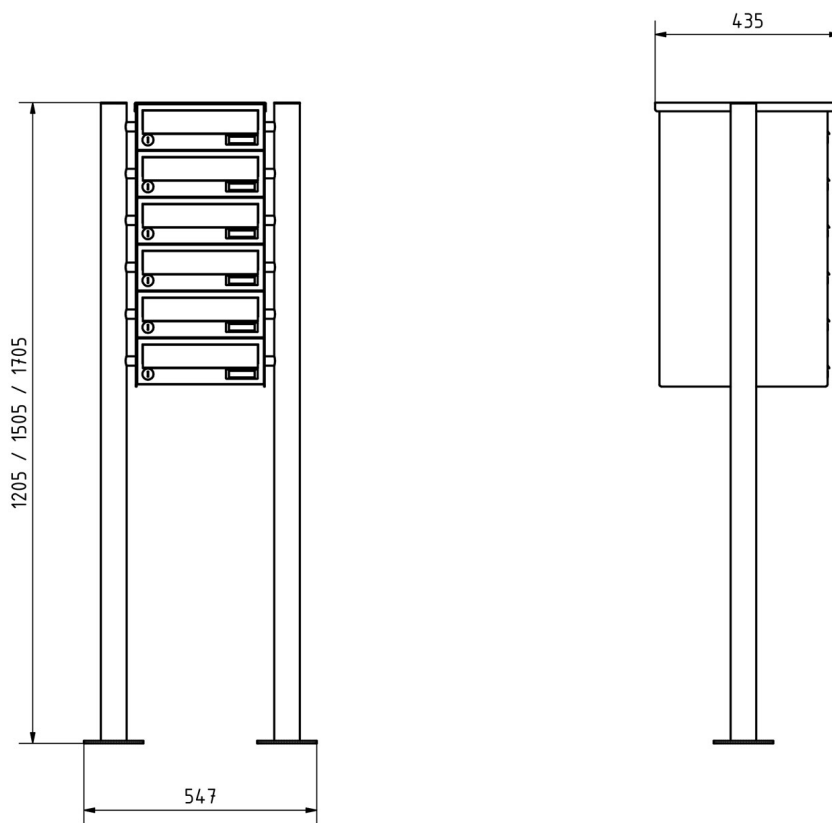
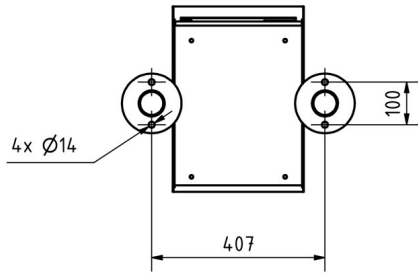
<b>Material</b>	Steel, galvanised, Stainless steel V2A 1.4301
<b>Surface/colour</b>	RAL 9005 deep black, RAL 3004 crimson red, DB 703 iron mica, RAL 7016 anthracite grey, RAL of your choice (according to colour table), Brushed, RAL 9007 grey aluminium, RAL 9016 traffic white
<b>Series</b>	BASIC
<b>Number of boxes</b>	with 6 letterboxes
<b>Boxes by volume</b>	Normal > 10 litres
<b>Name labelling</b>	Nameplate
<b>Mounting type</b>	Free-standing
<b>Removal of mail</b>	On the front

## Dimensions

<b>Height of single box in mm</b>	110,0
<b>Width of single box in mm</b>	300,0
<b>Capacity in litres</b>	12
<b>Height of letterbox slot in mm</b>	35,0
<b>Width of letter slot in mm</b>	265,0
<b>Height of letterbox in mm</b>	660,0
<b>Width of letterbox system in mm</b>	300,0
<b>Overall height in mm</b>	1200,0   1500,0   1700,0
<b>Total width in mm</b>	465,0
<b>Depth in mm</b>	435,0
<b>Weight in kg</b>	37
<b>Delivery condition</b>	Supplied in blocks, stand elements / letterbox divided

## Drawing

Montagebohrungen



## More images

