

Design wall light FISCHER SMALL 205x105 - 2-sided - stainless steel powder- coated - RAL of your choice | 205mm x 105mm | ? Colour of your choice

Product number 630R



Product description

Design wall light FISCHER SMALL 205x105 - 2-sided - powder-coated stainless steel - RAL colour of your choice

High-quality wall light for outdoor and indoor use made of powder-coated stainless steel. This luminaire with warm white light colour has a light outlet on both the top and bottom.

- The wall light is made of cast aluminium, stainless steel, powder-coated and ESG glass, opal.
- Integrated LED module 2 x 5.8 W incl. converter, direct connection 230 V, 50 Hz, light colour warm white, 3000° K.
- Protective conductor connection.
- Protection class IP 44 - splash-proof.
- With cast aluminium mounting plate for fixing.
- 2 fixing holes 10x6 mm in the wall plate, vertical spacing 60 mm, horizontal spacing 140 mm, cable entry with cable grommet for connection cable max. 1.5 mm², connection terminal 2x2.5 mm².
- CE mark of conformity.
- Manufactured by Gebrüder Albert GmbH & Co KG Leuchtenfabrik - Quality Made in Germany (Fröndenberg).

Installation:

The national and international electronic safety regulations must be observed for the installation and operation of this luminaire. Loosen the wall plate from the luminaire fitting using the four hexagon socket set screws, pull the mains connection cable through the existing cable grommet and screw the wall plate to the mounting base. Make the protective conductor connection and electrical connection to the terminal. Fix the luminaire fitting over the wall plate and tighten it against the wall plate using the four hexagon socket set screws.

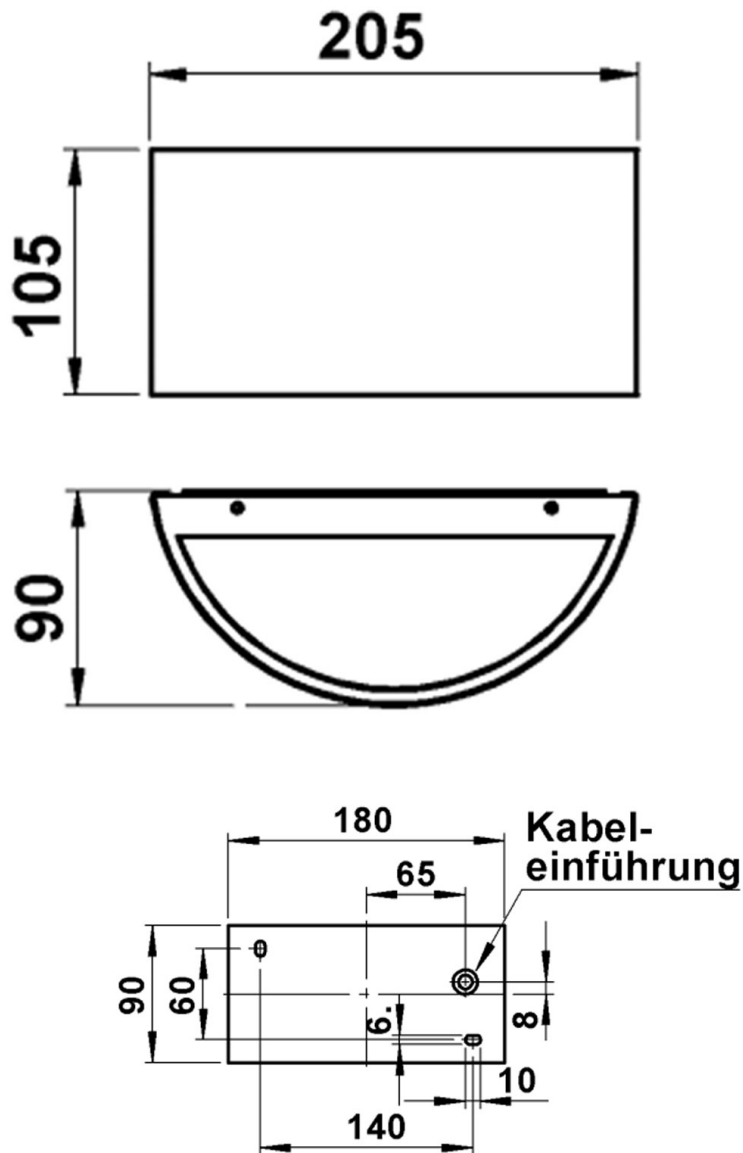
Product properties

| | |
|-------------------------|--|
| Surface/colour | RAL 9005 deep black, DB 703 iron mica, RAL 7016 anthracite grey, RAL of your choice (according to colour table), RAL 9007 grey aluminium, RAL 9016 traffic white |
| Protection type | IP44 |
| Illuminants | 2x LED, 5,8 Watt |
| Material | Aluminium AlMg3 W19, Stainless steel V2A 1.4301 |
| Protection class | I |

Dimensions

| | |
|--------------------|--------------------------|
| Width in mm | 205 |
| Height in mm | 105 |
| Depth in mm | 90,0 |
| Delivery condition | Supplied fully assembled |

Drawing



More images

