

Impact protection 672 ST-R - suitable for columns & pillars - polished V2A stainless steel | 625,3 mm x 517,3 mm para 601, 601KL | Acero inoxidable pulido

Número de artículo 672-VA-RS4



Descripción del producto

Impact protection 672 ST-R - suitable for columns & stelae - polished V2A stainless steel

The round shapes of the elegant bull bar create an organic appearance that fits into any modern environment. The bull bar is made entirely of polished V2A 1.4301 stainless steel. The material and workmanship are characterised by the highest quality. Long-lasting weather resistance and absolute robustness against high mechanical loads are a matter of course with this impact protection.

- Crash protection made entirely of stainless steel V2A 1.4301, 240 grit ground.
- The impact protection is manufactured by Briefkasten Manufaktur. German quality production "Made in Germany".
- Matching sizes for our pillars and columns.
- The uprights and crossbars are made of 60.3 mm stainless steel V2A 1.4301, 240 grit polished, optionally for screw mounting or setting in concrete.

Sizes

555.3mm x 300mm x 465.3mm (W x H x D) for items 870, 872.

625.3mm x 300mm x 517.3mm (W x H x D) for items 601, 601KL.

735.3mm x 300mm x 465.3mm (W x H x D) for items 215-STL, 599, 603, 604, 605.

825.3mm x 300mm x 487.3mm (W x H x D) for articles 599B, 599RB, 720RB, 605B.

971.3mm x 300mm x 587.3mm (W x H x D) for articles 602, 608.

975.3mm x 300mm x 687.3mm (W x H x D) for article 599BPK.

Características del producto

Tipo de montaje Independiente

Material de base Acero inoxidable V2A 1.4301

Superficie/color Suelo

Dimensiones

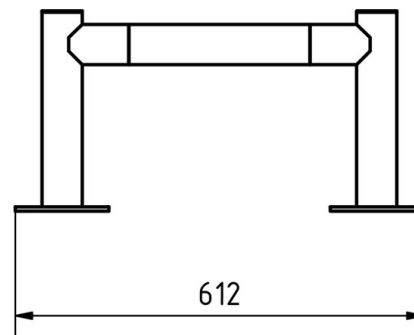
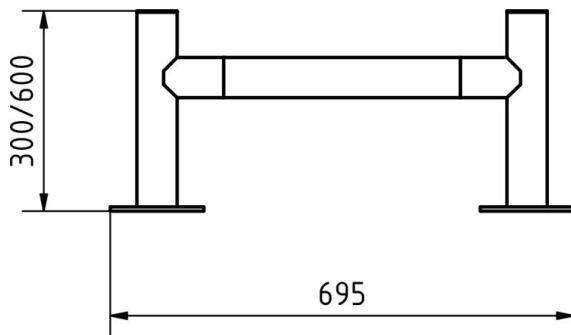
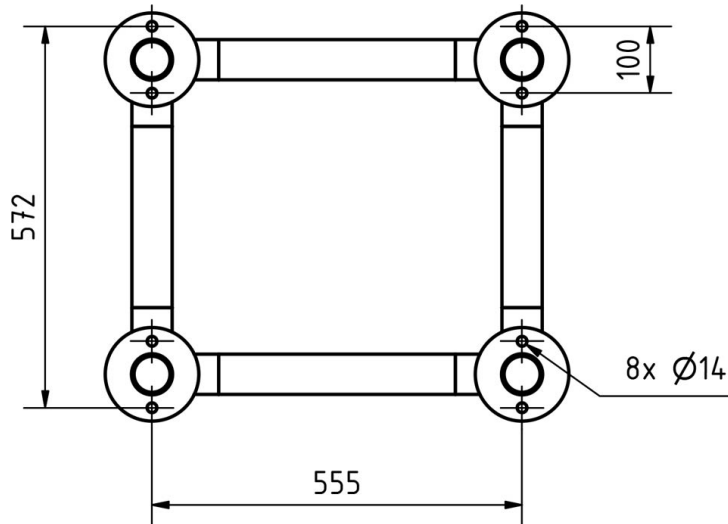
Altura total en mm 300,0 | 600,0

Peso en kg 18,0 - 25,0

Condiciones de entrega Supplied partially disassembled

Bosquejo

Montagebohrung



Más imágenes

