

Waste bin box BOXsystem BASIC 751V2 - RAL of your choice - 120-240 litres | sans boîte aux lettres | serrure à gauche * butée de porte à droite

Numéro de référence 751V2-1-VAR-0BK-SL



Description du produit

Modular waste bin box BASIC 751V1 - RAL of your choice - 120-240 litres

High-quality modular waste bin box with square tube stand elements made entirely of stainless steel, powder-coated. This bin box impresses with its extremely long service life and solid construction - made in Germany.

If you are looking for an elegant solution for storing waste bins near a property, then this stainless steel waste bin box is the answer. Whether in the garden, on the driveway or in the yard - the unattractive bins disappear in a bin enclosure. The closed panelling conceals the waste bins placed behind it. The actual purpose of the bin box is not visible, as the bin box blends harmoniously into the overall architecture when used with other architectural elements (fence, letterbox, house number, etc.) from Briefkasten Manufaktur. The waste bin enclosure is suitable for all standard household waste bin sizes (120-240 litres).

This waste bin enclosure is also available as a parcel compartment with a parcel lock. Please ask us about this.

- Bin box made of stainless steel 1.4016 (rustproof magnetic stainless steel), powder-coated in RAL colour of your choice.
- The waste bin box is handcrafted at Briefkasten Manufaktur. German quality production "Made in Germany".
- Door and side panels made of 1.5 mm stainless steel, powder-coated.
- High-quality handle shell with lock made of zamak / plastic.
- Rain canopy made of stainless steel, powder-coated. Optional planting roof possible.
- Interlinking of individual BOXsystem boxes possible.
- The uprights are made of 40x40 mm stainless steel V2A 1.4301, powder-coated for screw mounting.

Caractéristiques du produit

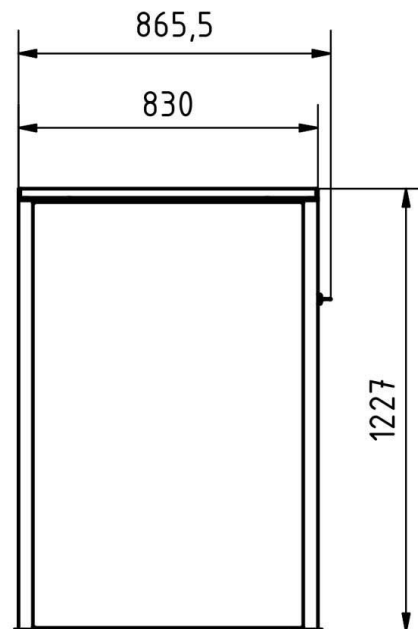
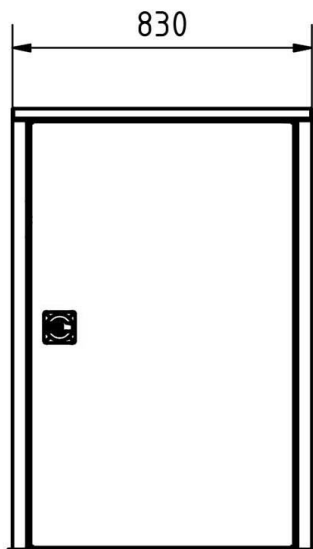
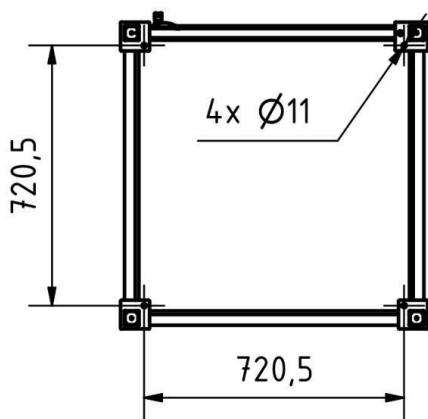
Surface/couleur	RAL 9005 noir profond, RAL 3004 rouge pourpre, DB 703 fer micacé, RAL 7016 gris anthracite, RAL au choix (selon le tableau des couleurs), Meulé, RAL 9007 aluminium gris, RAL 9016 blanc trafic
Série	BASIC
Type de montage	Autonome
Matériau de base	Acier inoxydable V2A 1.4301
Inscription du nom	Inscription du nom en gravure laser

Dimensions

Hauteur de construction en mm	1227.0 + 60.0 Optional planting roof
Largeur totale en mm	830,0
Profondeur en mm	830,0
Poids en kg	45
État de livraison	Supplied partially disassembled

Esquisse

Montagebohrungen



Plus d'images

