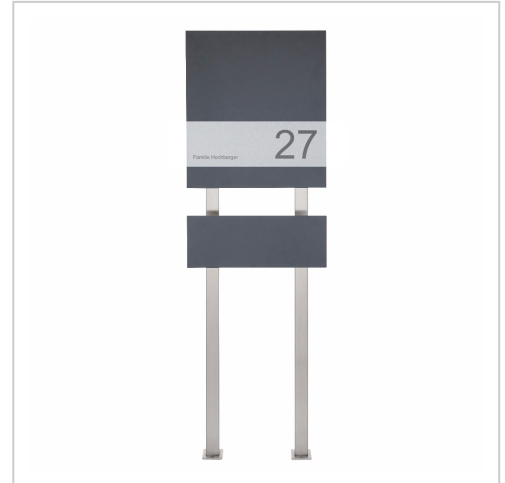


Design pedestal letterbox SCHILLER MEDIUM VARS - RAL colour with stainless steel application | Charnière à gauche * Serrure à droite

Numéro de référence 138ST-VARS-SR



Description du produit

Design letterbox SCHILLER MEDIUM VARS - RAL colour with stainless steel application

High-quality stainless steel designer letterbox for free-standing installation with newspaper compartment. Front panel made of 2 mm stainless steel in RAL fine structure, matt powder-coated & elegant stainless steel application. This letterbox is solidly manufactured and the base material is made entirely of stainless steel. This ensures optimum rust protection. The structure also provides optimum water protection. The lock side can be selected to suit left-handed or right-handed users, so that one-handed operation is possible.

The dimensions allow for a capacity of approx. 12 litres, and the top-loading guarantees no crumpled mail, even with DIN C4 envelopes and magazines or after several days of absence. This free-standing letterbox is designed so that you can keep your hands free when opening it, and the internal structure prevents mail from falling towards you. By inserting the mail from above, the mail inside is optimally protected from the weather. The lid is secured with rubber buffers to prevent annoying rattling.

- High-quality stainless steel design letterbox in RAL colour.
- Body made of 1.25 mm stainless steel, powder-coated in RAL colour fine structure, matt.
- Front panels 1.5 mm stainless steel, powder-coated in RAL colour fine structure, matt.
- Available with door hinged on the left (lock on the right) or door hinged on the right (lock on the left).
- High-quality lock on the side incl. 2 keys with key number.
- Post insertion from above, insertion size suitable for C4 envelopes.
- Optimum water protection.
- Application made of 1.5mm stainless steel V2A, polished.
- Name lettering, lasered approx. 10-20mm high.
- House number labelling, lasered approx. 60-80mm high.
- The pillars are made of 40 mm x 40 mm rectangular tube stainless steel V2A, polished. For screwing on or setting in concrete.

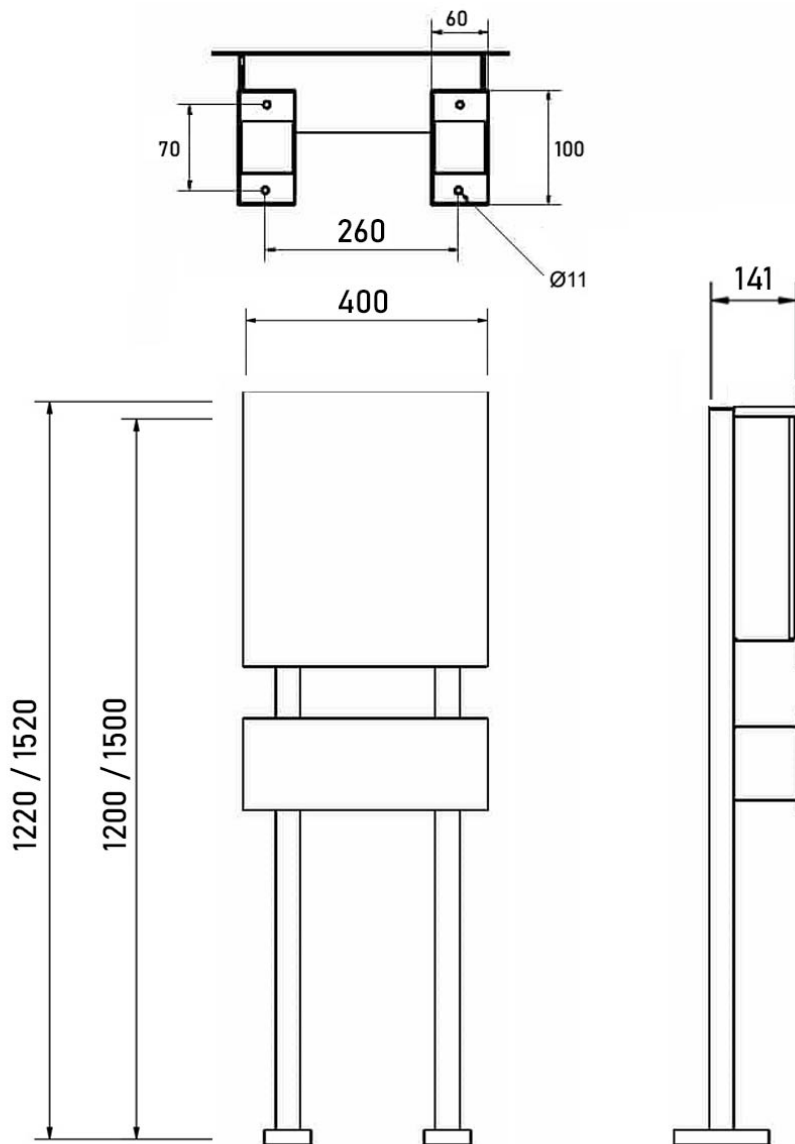
Caractéristiques du produit

Surface/couleur	RAL 9005 noir profond, RAL 3004 rouge pourpre, DB 703 fer micacé, RAL 7016 gris anthracite, RAL au choix (selon le tableau des couleurs), Meulé, RAL 9007 aluminium gris, RAL 9016 blanc trafic
Série	SCHILLER
Fonctions	Porte-journaux
Caisses individuelles par volume	Normal > 10 litres
Type de montage	Autonome
Matériau de base	Acier inoxydable V2A 1.4301, Acier inoxydable 1.4016 (acier inoxydable magnétique)
Numéro de maison	Numéro de maison en gravure laser
Inscription du nom	Inscription du nom en gravure laser
Prélèvement de poste	Face avant
Nombre de boîtes	avec 1 boîte aux lettres

Dimensions

Hauteur du caisson individuel en mm	Body 385.0 Front panel 450.0
Largeur du caisson individuel en mm	Body 320.0 Front panel 400.0
Volume en litres	12
Hauteur de la fente d'introduction du courrier en mm	32,0
Largeur de la fente d'introduction du courrier en mm	305,0
Hauteur de construction en mm	1200,0 1500,0
Profondeur en mm	100.0 + 40.0 Stand element + 10.0 Front panel
Poids en kg	21
État de livraison	Supplied in blocks, stand elements / letterbox divided

Esquisse



Plus d'images

