

Impact protection 672 ST-R - suitable for pillars & columns - RAL of your choice | 625,3mm x 517,3mm pour 601, 601KL | ? Couleur au choix

Numéro de référence 672-VAR-RS4



Description du produit

Impact protection 672 ST-R - suitable for columns & pillars - RAL colour of your choice

The round shapes of this elegant crash barrier create an organic appearance that fits into any modern environment. The bull bar is made entirely of V2A 1.4301 powder-coated stainless steel. The material and workmanship are characterised by the highest quality. Long-lasting weather resistance and absolute robustness against high mechanical loads are a matter of course with this impact protection.

- Completely made of stainless steel V2A 1.4301, powder-coated in RAL/DB colour.
- The impact protection is manufactured by Briefkasten Manufaktur. German quality production "Made in Germany".
- Matching sizes for our pillars and columns.
- The pillars and crossbars are made of 60.3 mm stainless steel V2A 1.4301, powder-coated for screw mounting or setting in concrete.

Sizes

555.3mm x 300mm x 465.3mm (W x H x D) for items 870, 872.

625.3mm x 300mm x 517.3mm (W x H x D) for items 601, 601KL.

735.3mm x 300mm x 465.3mm (W x H x D) for items 215-STL, 599, 603, 604, 605.

825.3mm x 300mm x 487.3mm (W x H x D) for articles 599B, 599RB, 720RB, 605B.

971.3mm x 300mm x 587.3mm (W x H x D) for articles 602, 608.

975.3mm x 300mm x 687.3mm (W x H x D) for article 599BPK.

Caractéristiques du produit

Type de montage Autonome

Matériau de base Acier inoxydable V2A 1.4301

Surface/couleur Meulé

Dimensions

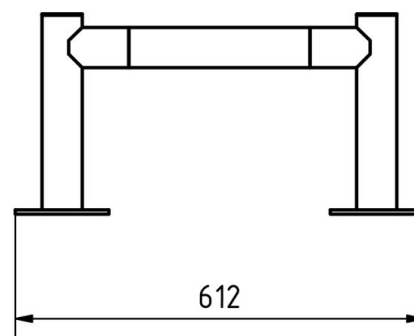
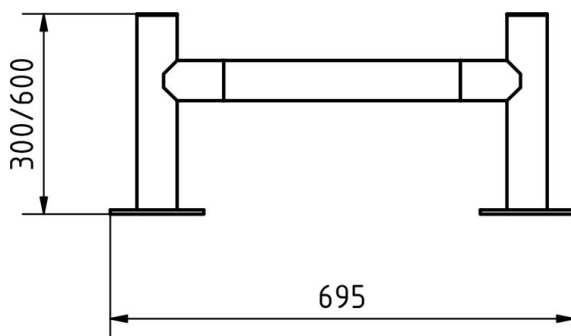
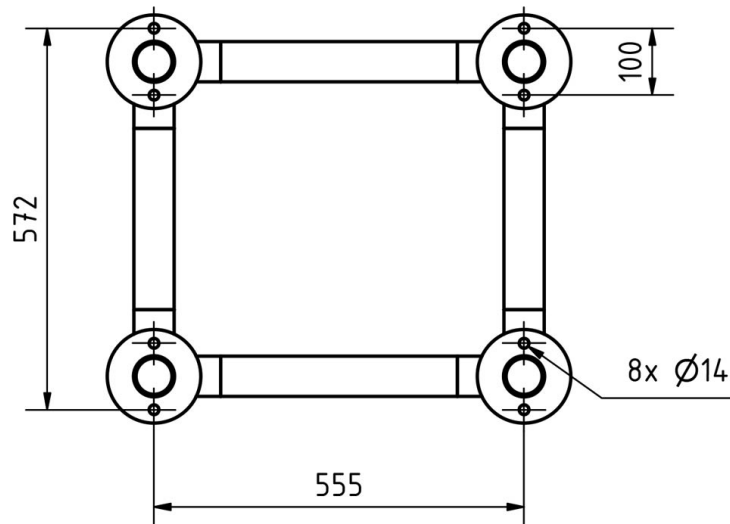
Hauteur de construction en mm 300,0 | 600,0

Poids en kg 18,0 - 25,0

État de livraison Supplied partially disassembled

Esquisse

Montagebohrung



Plus d'images

